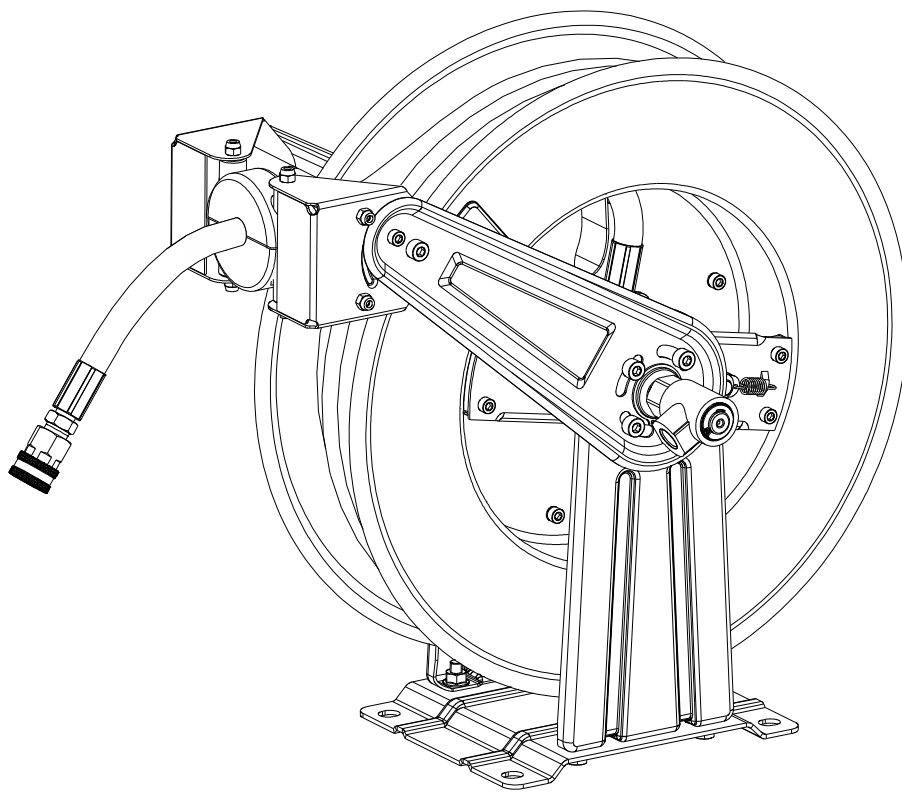


# **HIGH PRESSURE HOSE REEL**

## **Spring Driven Self Rewind High Pressure Hose Reel**

### **OPERATION INSTRUCTION**



**This manual contains:**  
**IMPORTANT WARNINGS** and **INSTRUCTIONS**. READ AND RETAIN FOR REFERENCE

**SAVE THIS MANUAL FOR FUTURE REFERENCE**

## 1. Safety Guidelines



### WARNING- READ AND FOLLOW ALL INSTRUCTIONS

- Failure to follow all instructions in this manual may result in severe personal injury or death. This reel must only be mounted to a load bearing structural object such as a stud, rafter, or floor which can support the combined weight of reel and hose and can withstand pulling forces on hose when in use.



### WARNING--RISK TO FLUID INJECTION

- **ALWAYS** point spray gun in safe direction and squeeze trigger, to release high pressure, every time you stop cleaning.
- **MAKE SURE** hose and fittings are tightened and in good condition. Never hold onto the hose or fittings during operation.
- **NEVER** attach or remove hose fittings while system is pressurized.
- **ONLY USE** hose that rated for pressure higher than the reel's p.s.i.
- **NEVER** connect high pressure hose to nozzle extension.



### DANGER-- RISK OF EYE INJURY

- **ALWAYS** wear safety goggles when using this equipment
- **NEVER** substitute safety glasses for safety goggles.



### DANGER--RISK OF EXPLOSION OR FIRE

- **NEVER** spray flammable liquids



### WARNING--RISK OF ELECTRICAL SHOCK

- **NEVER** spray near power source.
- **DO NOT** touch the plug with wet hands.



### DANGER-- RISK OF MOVING PARTS

- **BE AWARE** that the recoil spring is under max tension without the hose installed when shipping.
- **BE CAREFUL** not to accidentally disengage locking pawl. Drum will spin with uncontrolled speed.



### DANGER-- RISK OF CHEMICAL BURN

- **DO NOT** use acids, gasoline, kerosene, or any other flammable materials. Use only household detergents, cleaners and degreasers recommended for pressure washers.
- **WEAR** protective clothing to protect eyes and skin from contact with sprayed materials.
- **DO NOT** use chlorine bleach or any other corrosive compound



## 2. Products Specifications

### Spring Loaded Auto Retract High Pressure Hose Reel

Thickened steel plate, double support arm can ensure the reliability and stability of use. Including base can be installed as upward, downward or vertically. The reinforced spring can be rolled up to 19 meters of high pressure hose, thickened 8-tooth chuck to ensure reliable and wear resistance. Up and down, left and right guide roller ensures the correct guidance when the hose is automatically retract. The end of the high pressure hose contains a fixer. Stainless steel rotary shaft with dual bearing fixed structure rotary joint, wear-resistant and resistant to high pressure, including 1 meter short connector hose thread size can be option.

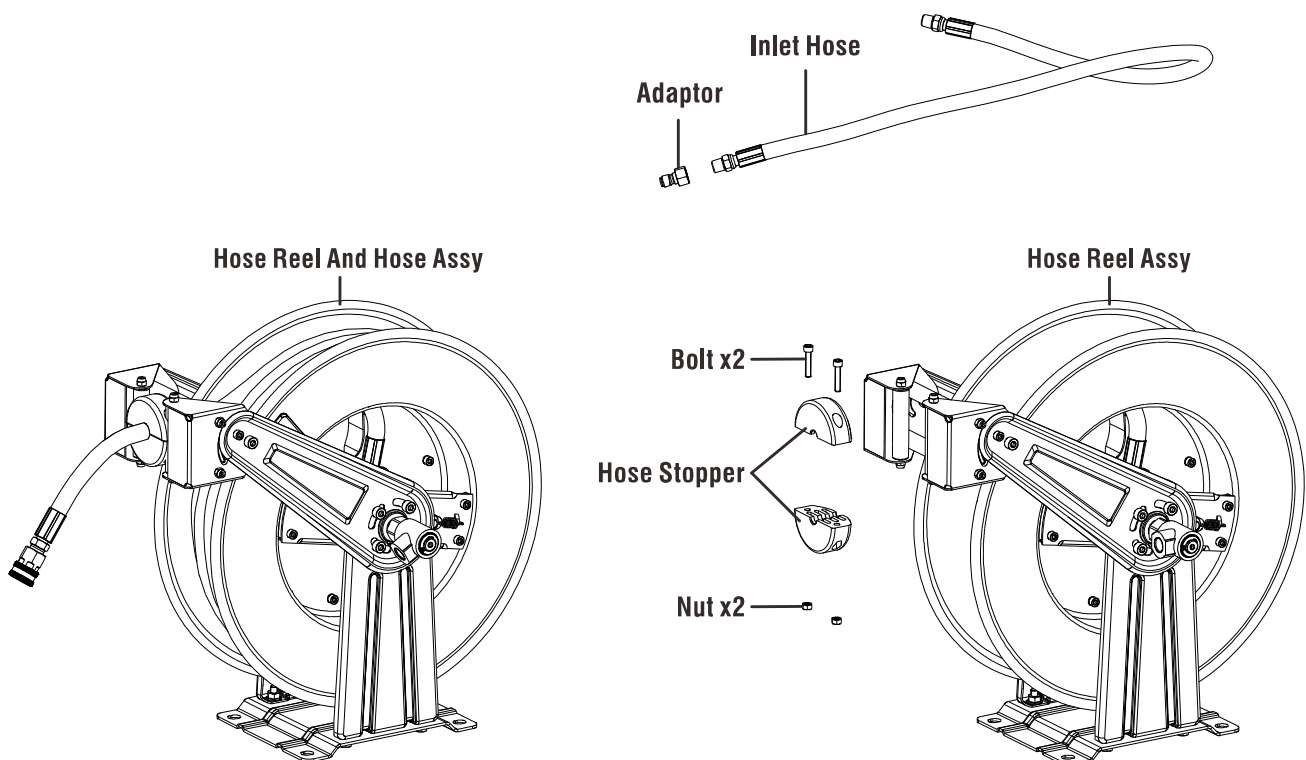
CODE	HPHR-SR3/8	HPHR-SR1/2
Max Pressure	3600Psi / 248Bar	3600Psi / 248Bar
Max Inlet Temp.	90°C/194°F	90°C/194°F
Inlet/outlet Fitting	3/8" Male X Female	1/2" Male X Female
Hose Capacity	3/8" X 19M	1/2" X 15M

## 3. Unpacking

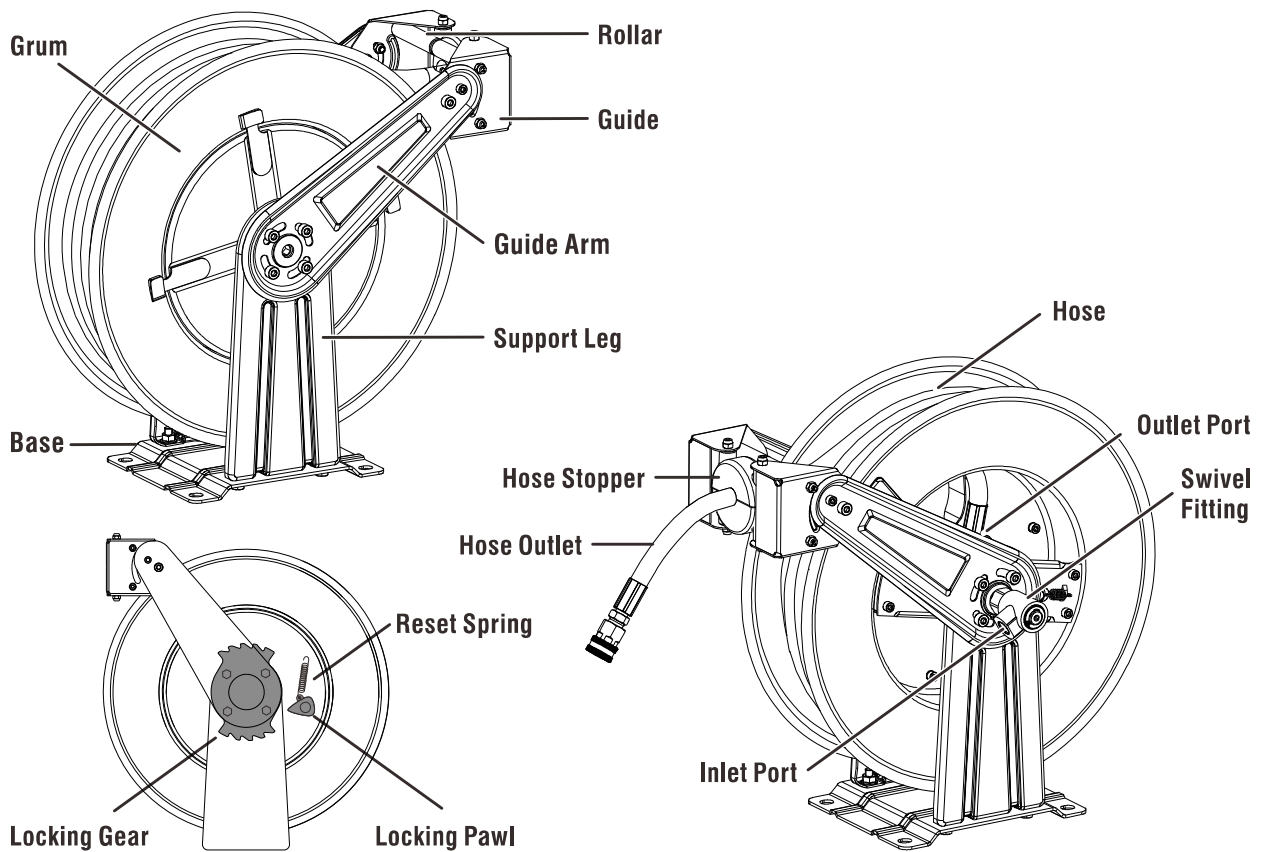
Unpack the hose reel and make sure that it is complete and not damaged, In case it is not complete or damaged, do not use the machine and consult your dealer.

For reasons of packaging or transport, some accessory components can be supplied loose. In this case they must be assembled according to the instructions in this manual. Make sure that the components of the packaging are placed out of the reach of children.

The hose will ship with or with the high pressure hose reel installed, for both condition the inlet hose is included.

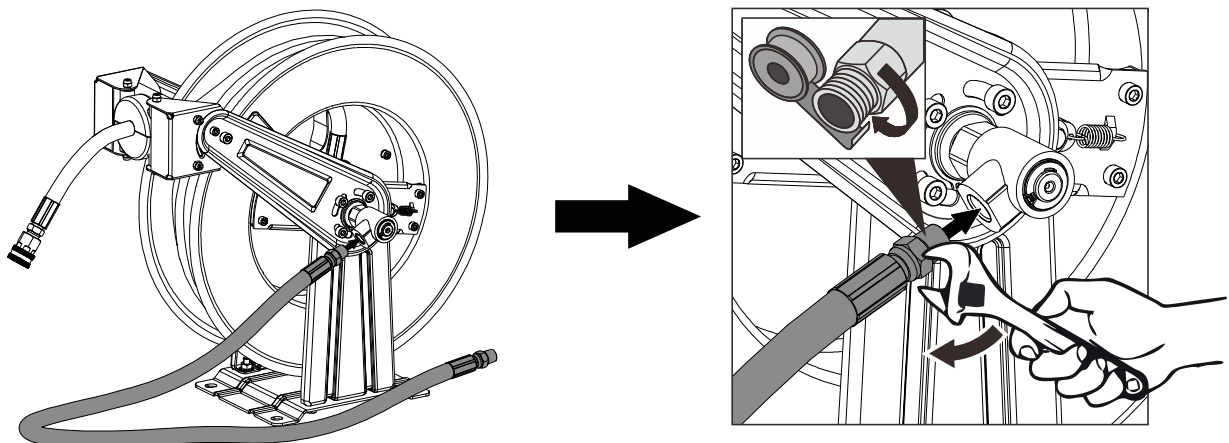


## 4. Parts Identification



## 5. Attaching Inlet Hose

1. Wrap the inlet hose end with thread sealing tape.
2. Thread inlet hose end into the inlet port on swivel fitting, taking care not to cross thread.
3. Tighten connection with wrench.
4. Apply line pressure and inspect for leaks. Periodically check hose for improper wear and swivel for possible leaks.



## 6. Hose Reel Mounting Location

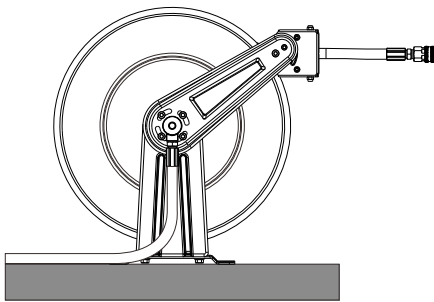
### 6.1 Choosing a Location



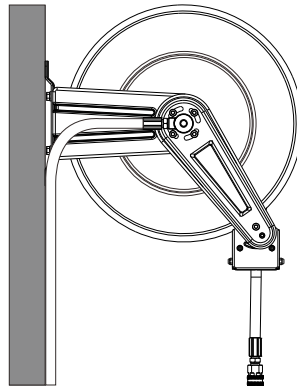
#### WARNING

The hose reel must be mounted to a load-bearing structural member capable of supporting combined weight of reel, hose, and forces caused by pulling or maneuvering hose.

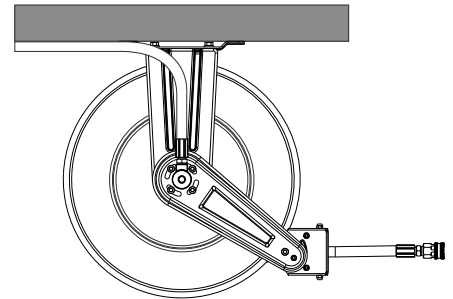
1. Reel can be mounted on the floor, wall, or ceiling, wherever it is convenient.
2. Guide arm may be adjusted to desired location.
3. Mounting reel near the pressure washer.



FLOOR



WALL



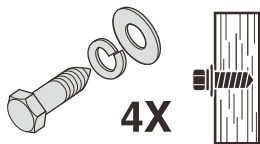
CEILING

## 7. Hose Reel Installation

### 7.1 Typical Of Installation (Mounting Hardware is NOT provided.)

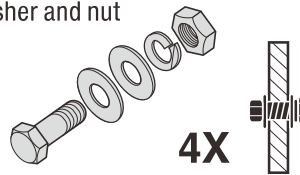
#### WOOD

Lag bolt, lock washer, and flat washer



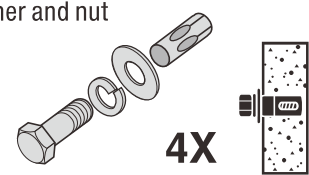
#### METAL

Machine bolt, two flat washer, lock washer and nut



#### MASONRY

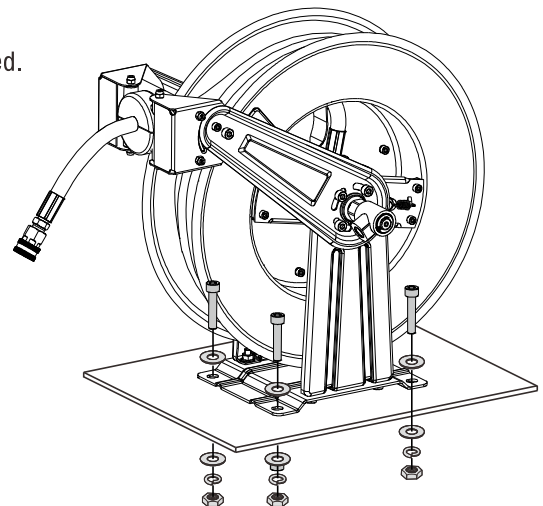
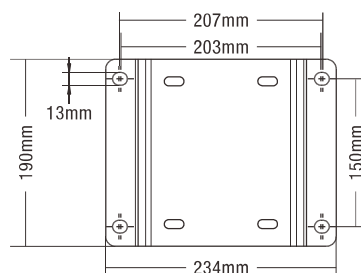
Machine bolt, lock washer, flat washer and nut



### 7.2 Mounting Of Reel On Solid Structure

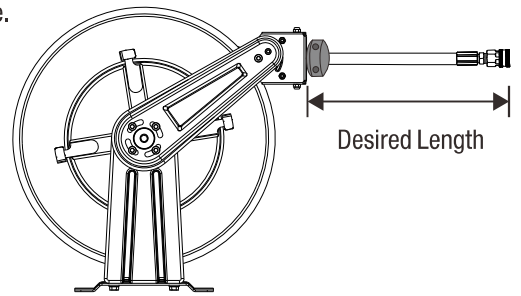
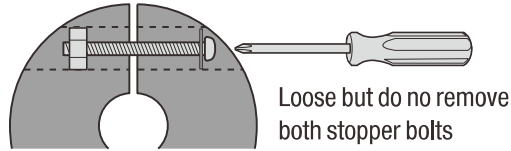
1. Pull out hose until reel latches.
2. To mount reel to a solid structure use 4pcs M8x20 bolts, 8x flat washers, 8x lock washers and nuts. Mounting hardware is NOT provided.
3. The mounting base of the reel has 4x 13mm holes.
4. Loosely fit two pieces of mounting hardware that reel can be slid into position. Fit reel. Install two pieces of hardware in other end of reel. Securely fasten all bolts and nuts.

**NOTE: Keep hose reel supported at all times until all fasteners are tight.**



## 8. Adjusting Hose Stopper Position

1. Pull hose out past the desired position of hose stopper, lock drum in position.
2. Loose (do not remove) both stopper bolts just enough so stopper can slide along hose.
3. Move stopper to desired position. Tighten stopper bolts until hose stopper cannot slide. Do not over-tighten bolts.



## 9. Adjusting The Guide Arm



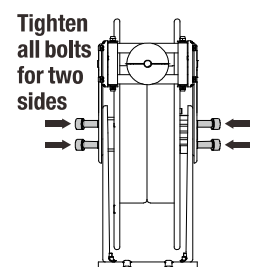
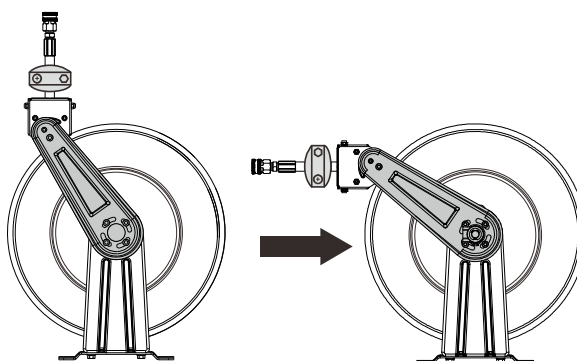
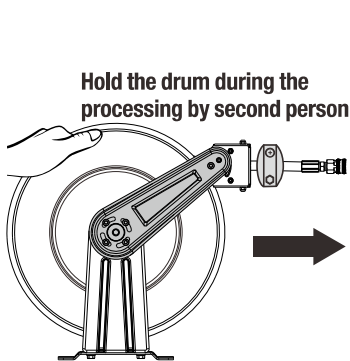
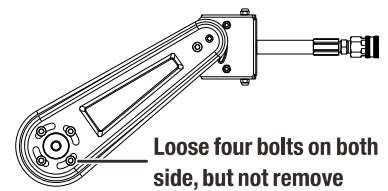
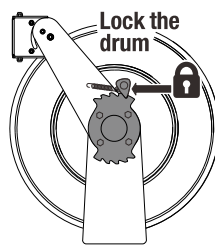
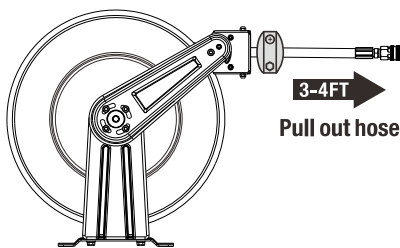
### WARNING

**TWO PEOPLE ARE RECOMMENDED FOR THIS PROCESS.** During the course of this adjustment, the locking gear will disengage and become ineffective. Ask a second person to hold the drum to prevent it from spinning while removing and reinstalling the guide arm bolts.

1. Pull out 3-4 feet of hose and secure the hose reel drum.
2. Loose the bolts connecting the guide arms to the support legs.
3. Rotate guide arm as desired. Tighten all bolts.

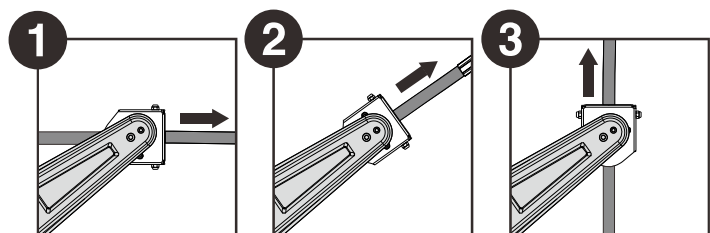
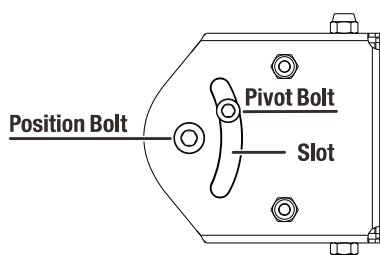


**Locking gear will disengage when bolts are removed! Secure drum before removing bolts.**



## 10. Adjusting The Guide

1. Loose position and pivot bolts on both side, but do not remove. Adjust to one of three desired positions. Reinstall fasteners and tighten.





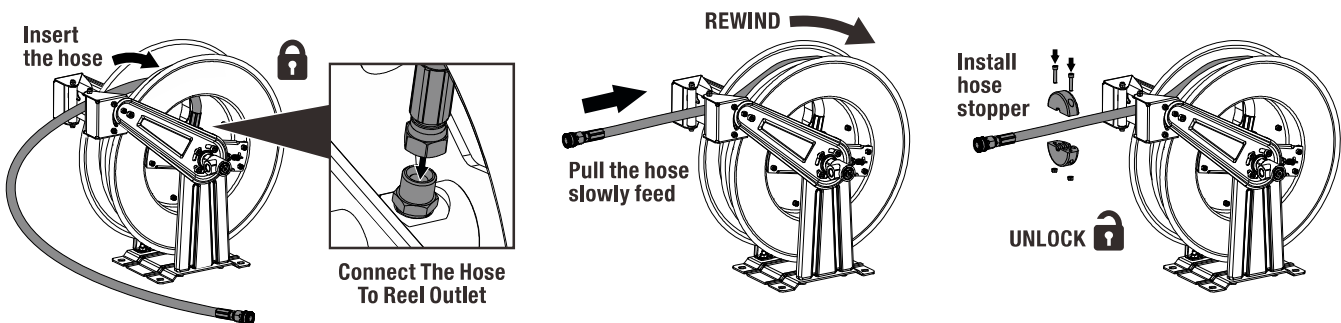
## 11. Installation Of Outlet Hose

### **WARNING**

**BE AWARE** that the recoil spring is under maximum tension with drum in this position.  
**BE CAREFUL** not to accidentally disengage locking pawl. Drum will spin with uncontrolled speed.

**NOTE:** Before proceeding, ensure that you are installing the proper size, length and type of hose that the reel is rated for. Consult factory if unsure of rating. Damage may occur if wrong hose is installed.

1. **SECURELY** stabilize the reel. Make sure the drum is locked, put the hose through the roller guide and the cutout on the drum, connect the hose end to the outlet. Do not use sealing tape on threads.
2. **CAREFULLY** release the locking ratchet and **SLOWLY** allow the hose to retract onto the reel.
3. Pull the hose and install the hose stopper. Apply line pressure and inspect for leaks.

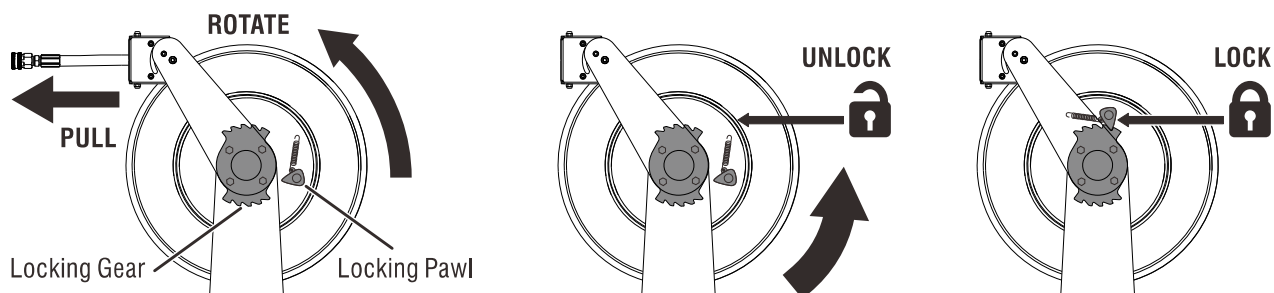


## 12. Hose Reel Operation

### **WARNING**

This hose reel automatically rewinds hose using an internal recoil spring. When hose is pulled from reel, it is pulled against the tension of the recoil spring. The more hose is pulled out, the greater the tension built up in the recoil spring. **NEVER LET GO OF HOSE WHILE PULLING FROM REEL.** Letting go will allow hose to rewind at uncontrolled speed, possibly damaging the internal spring or roller guides.

1. Grasp hose and pull slowly from reel. As hose is pulled from reel, the entire reel drum rotates. To prevent extra wear on hose, periodically check to be sure roller guides inside collar are rolling smoothly.
2. As reel drum rotates, the locking gear and pawl make a short series of 4 clicking sounds each 1/2 revolution. In one revolution, there are a total of 8 locking positions.
3. **TO LOCK REEL IN POSITION.** Slow down pulling motion as desired length of hose is reached. While pulling slowly, listen for each short series of clicking sounds. As the pawl is clicking, stop pulling hose and decrease tension. The drum should lock in position.
4. **TO REWIND HOSE ONTO REEL.** Slowly pull hose out until the first series of clicks stops. This means the locking pawl has cleared the locking gear. **DO NOT LET GO OF HOSE!** Slowly allow hose to rewind onto drum until hose stopper rests against guide collar.



## 13. Adjusting Recoil Tension

Hose reel is shipped with spring tension properly set. Be aware that spring tension is calibrated to rewind entire length of hose. If you are working with only a portion of total hose length or if you feel hose rewinds too quickly or too slowly, you can easily adjust the tension of the main recoil spring.



### WARNING

**DO NOT SET TOO MUCH TENSION IN SPRING.**

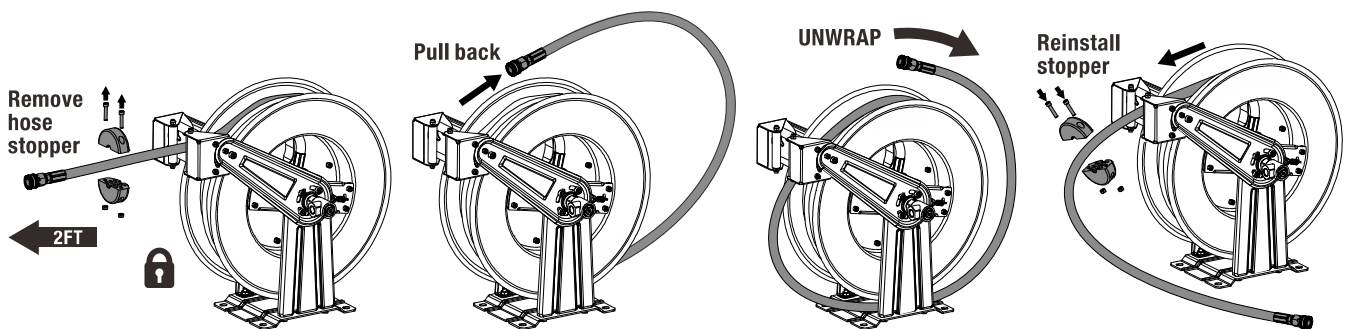
Damage to spring could result.

### Decreasing Recoil Tension

1. Pull out 2 feet of hose and lock drum. Remove hose stopper.
2. Pull hose back through the roller guide.
3. Unwrap one revolution of hose from the reel.
4. Push the hose through the roller guide and reinstall hose stopper.



**Keep drum locked at all times.**

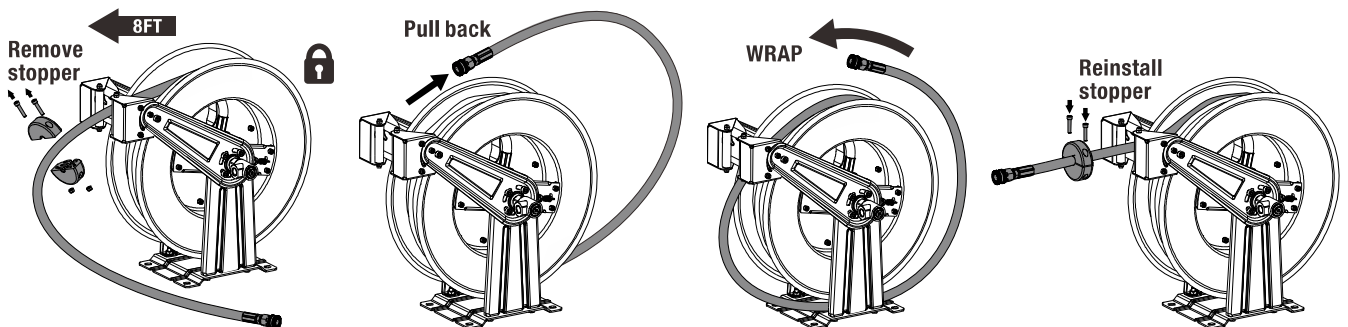


### Decreasing Recoil Tension

1. Pull out 8 feet of hose and lock drum. Remove hose stopper.
2. Pull hose back through the roller guide
3. Wrap one revolution of hose onto the reel.
4. Push the hose through the roller guide and reinstall hose stopper.



**Keep drum locked at all times.**



## IMPORTANT! SAFETY FIRST!

Before attempting to use this product(s) please read all of the safety precautions and operating instructions outlined in this manual to reduce the risk of damage to the products and personal injury.