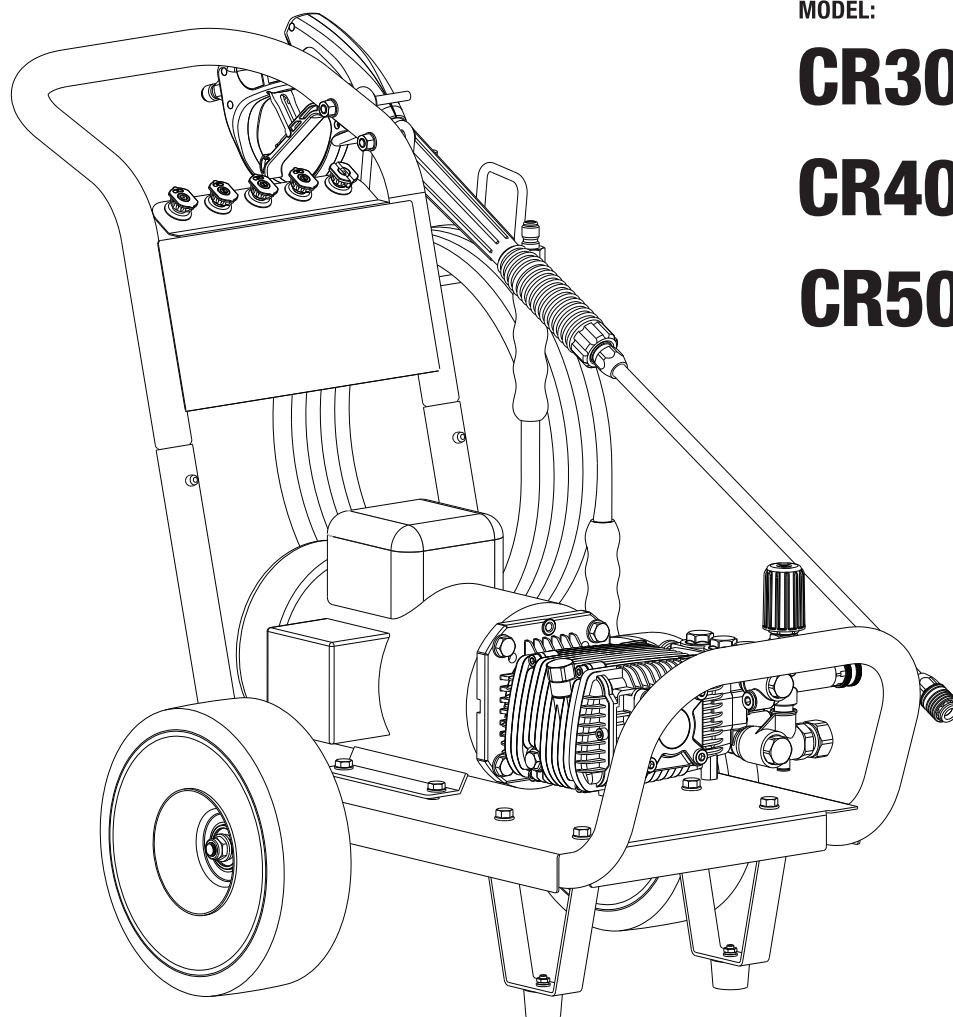




PRESSURE WASHER ELECTROJET SERIES

OPERATION AND PARTS LIST MANUAL



MODEL:

CR3000

CR4000

CR5000



This manual contains:
IMPORTANT WARNINGS and **INSTRUCTIONS**. READ AND RETAIN FOR REFERENCE

GREEN CANPUMP TECHNICAL SUPPORT WWW.CANPUMP.COM

VERSION:GCP-EJCR-2101

Contents

1. Introduction	1
2. Products Identification	2
3. Safety Guidelines	2,3,4
4. Products Specifications	5
5. Parts Identification and Features	6,7,8
6. Unpacking & Assembly	9
7. Setting Up the Before Use	10
8. Startup Procedure	11
9. Stopping the Pressure Washer	12
10. Using Nozzles	12
11. Adjusting Spray Pressure	13
12. Using Chemicals & Detergents	13
13. Maintenance	14,15
14. Storage	16
15. Troubleshooting	17,18
16. Pressure Washer Exploded View & Parts List	19
17. Pump Exploded View & Parts List	20
18. Selected Adding On Pressure Washer Accessories	21,22

Disclaimer:

The information in this document is to the best of our knowledge true and accurate, but all recommendations or suggestions are made without guarantee. Since the conditions of use are beyond their control, the factory disclaim any liability for loss or damage suffered from the use of this data or suggestions. Furthermore, no liability is accepted if use of any product in accordance with this data or suggestions infringes any patent. The factory reserve the right to change product specifications and warranty statements without further notification. All images are for illustration purposes only.

1. Introduction

Thank you for purchasing this **Professional Power Equipment Product**.

Please read the following instructions carefully to help to ensure your personal safety and the correct assembly, use and maintenance of this equipment. Please ensure that you have read and understand the information contained in the manual before attempting to use the equipment. This equipment should only be used by trained and fully competent individuals, in a safe working environment. Please ensure that the appropriate safety equipment is worn at all times and that the product is not adapted or modified in anyway.

Please note that the contents of this instruction manual are based on the latest product information available at the time of publication and that the manufacturer reserves the right to make changes at any time without notice.

2. Products Identification

RECORD IDENTIFICATION NUMBERS

If you need to contact an Authorized Dealer for information on servicing, always provide the product model and identification numbers. You will need to locate the model, revision and serial number for the machine and record the information in the places provided below. You will also need the model and serial number for the engine on your machine.

1. Date of Purchase: _____
2. Dealer Name: _____
3. Dealer Phone: _____
4. Unit Model Name: _____
6. Pump Model & Serial Number: _____
5. Motor & Serial Number: _____

NOTE: Check page 9 for the location of the pump model & serial no. on the pump. Check the motor operators manual for the location of these numbers.

3. Safety Guidelines



WARNING- READ AND FOLLOW ALL INSTRUCTIONS

- Failure to follow all instructions in this manual may result in severe personal injury or death. Keep this manual and refer to it for Safety Instructions, Operating Procedures, and Warranty.



This manual contains information that is important for you to know and understand. This information relates to protecting **YOUR SAFETY** and **PREVENTING EQUIPMENT PROBLEMS**. To help you recognize this information, we use the symbols below. Please read the manual and pay attention to these sections.



DANGER

DANGER indicates an imminently hazardous situation which, if not avoided, will result in death or serious injury.



CAUTION

CAUTION indicates a potentially hazardous situation which, if not avoided, may result in minor or moderate injury.



WARNING

WARNING indicates a potentially hazardous situation which, if not avoided, could result in death or serious injury.



CAUTION

CAUTION used without the safety alert symbol indicates a potentially hazardous situation which, if not avoided, may result in property damage.

Improper maintenance and operation are responsible for the majority of accidents involving gas pressure washers. The largest portion of these could be prevented by recognizing the basic safety rules and precautions. Most accidents can be avoided if the operator recognizes a potentially hazardous situation before it happens and by observing appropriate safety rules and procedures as outlined in this manual. Basic safety precautions are outlined in the **SAFETY** portion of this manual and throughout the text in this manual where a potential hazard might occur. Hazards that **MUST** be avoided to prevent serious injury follow headers marked **DANGER** or **WARNING**. These same precautions are placed as labels on the tool itself. **NEVER** use this pressure washer for applications that are **NOT** specified in this manual.

3. Safety Guidelines (continued)



WARNING--RISK OF FALL HAZARD

- Use of pressure washer can create puddles and slippery surfaces.
- Kickback from spray gun can cause you to fall.

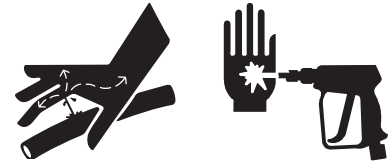


- Keep the area of operation clear of all persons, particularly small children, pets and obstacles.
- Do not operate the product when fatigued or under the influence of alcohol or drugs. Stay alert at all times.
- If engine does not start after two pulls, squeeze trigger of gun to relieve pump pressure. Pull starter cord slowly until resistance is felt. Then pull cord rapidly to avoid kickback and prevent hand or arm injury.
- Do not overreach or stand on an unstable support.
- The cleaning area should have adequate slopes and drainage to reduce the possibility of a fall due to slippery surfaces.
- Be extremely careful if you must use the pressure washer from a ladder, scaffolding, or any other similar location.
- Beware of kick-back force and the sudden torque on the spray gun assembly when operating the trigger. Firmly grasp spray gun with both hands to avoid injury when spray gun kicks back.

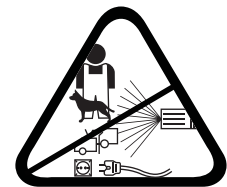


WARNING--RISK TO FLUID INJECTION

- The high pressure stream of water that this equipment produces can cut through skin and its underlying tissues, leading to serious injury and possible amputation. Spray gun traps high water pressure, even when engine is stopped and water is disconnected, which can cause injury.



- **ALWAYS** point spray gun in safe direction and squeeze trigger, to release high pressure, every time you stop engine.
- **NEVER** place hands in front of nozzle.
- **MAKE SURE** hose and fittings are tightened and in good condition. Never hold onto the hose or fittings during operation.
- **DO NOT** allow hose to contact muffler.
- **NEVER** attach or remove wand or hose fittings while system is pressurized.
- **NEVER** use a spray gun which does not have a trigger lock or trigger guard in place and in working order.
- **ONLY USE** hose and high pressure accessories rated for pressure higher than your pressure washer's p.s.i. To relieve system pressure, shut off engine, turn off water supply, and pull gun trigger until water stops flowing.
- **DO NOT** allow **CHILDREN** to operate pressure washer.
- **NEVER** repair leaking connections with sealant of any kind. Replace o-ring or seal.
- **NEVER** connect high pressure hose to nozzle extension.
- **DO NOT** secure spray gun in open position.
- **DO NOT** leave spray gun unattended while machine is running.
- **ALWAYS** be certain spray gun, nozzles and accessories are correctly attached.
- **NEVER** aim spray gun at people, animals, or any electrical device and the machine itself.



DANGER-- RISK OF MOVING PARTS

- Starter and other rotating parts can entangle hands, hair, clothing, or accessories.



- **NEVER** operate pressure washer without protective housing or covers.
- **DO NOT** wear loose clothing, jewelry or anything that may be caught in the starter or other rotating parts.
- Tie up long hair and remove jewelry.

3. Safety Guidelines (continued)



DANGER-- RISK OF CHEMICAL BURN

- Use of acids, toxic or corrosive chemicals, poisons, insecticides, or any kind of
- flammable solvent with this product could result in serious injury or death.



- **DO NOT** use acids, gasoline, kerosene, or any other flammable materials in this product. Use only household detergents, cleaners and degreasers recommended for use in pressure washers.
- Wear protective clothing to protect eyes and skin from contact with sprayed materials.
- **DO NOT** use chlorine bleach or any other corrosive compound



WARNING--RISK OF ELECTRICAL SHOCK

- Risk of electrocution.
- Contact with power source can cause electric shock or burn.



- Unplug any electrically operated product before attempting to clean it.
- Direct spray away from electric outlets and switches.
- **NEVER** spray near power source.
- **DO NOT** touch the plug with wet hands.
- **WHEN SERVICING THE PRESSURE WASHER:** Disconnect the spark plug wire and place it where it cannot contact the plug. **DO NOT** check for spark with the plug removed. Use only approved spark plug testers.



DANGER-- RISK OF EYE INJURY

- Spray can splash back or propel objects.



- **ALWAYS** wear safety goggles when using this equipment or in vicinity of where equipment is in use.
- Before starting the pressure washer, be sure you are wearing adequate safety goggles.
- **NEVER** substitute safety glasses for safety goggles.



CAUTION– IMPROPER TREATMENT OF PRESSURE WASHER CAN DAMAGE IT AND SHORTEN ITS LIFE AND VOID YOUR WARRANTY

- **NEVER** pull water supply hose to move pressure washer. This could damage hose and/or pump inlet.
- **DO NOT** use hot water, use cold water only.
- **DO NOT** stop spraying water for more than two minutes at a time. Pump operates in bypass mode when spray gun trigger is not pressed. If pump is left in bypass mode for more than two minutes internal components of the pump can be damaged.
- Before starting pressure washer in cold weather, check all parts of the equipment to be sure ice has not formed there.
- **DO NOT** use the pressure washer if excessive noise or vibration is present. Have it repaired immediately.

PLEASE WEAR PROPER APPAREL AND PROTECTORS



Proper Apparel



Electrically
Non-conductive Gloves



Ear Protection

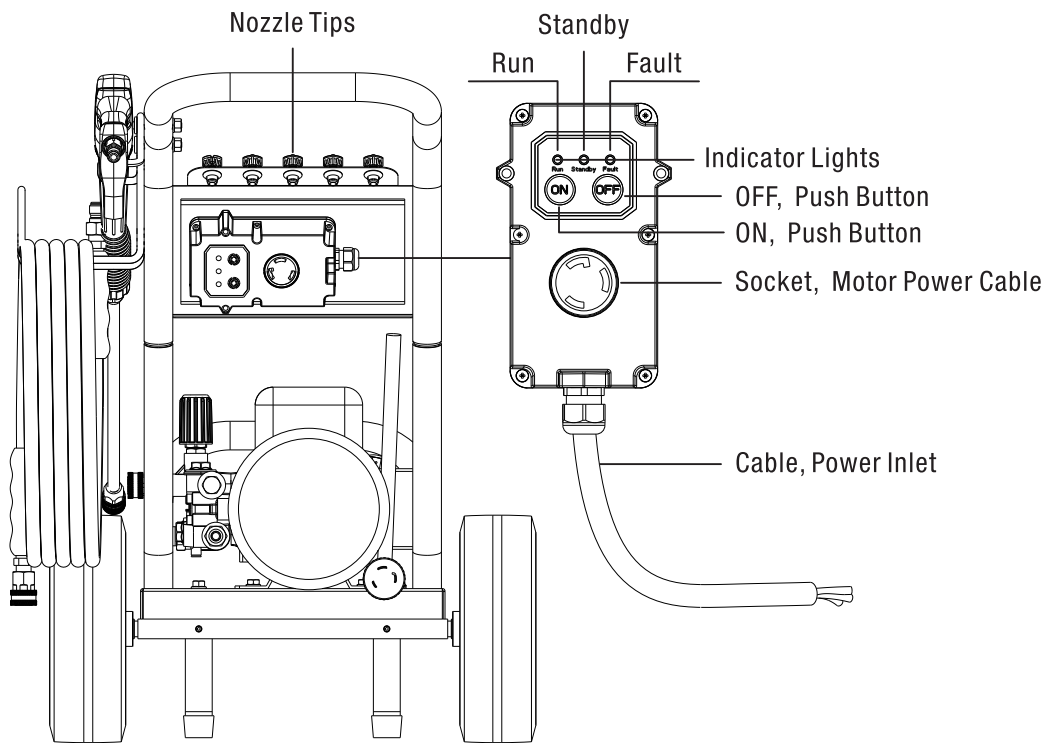
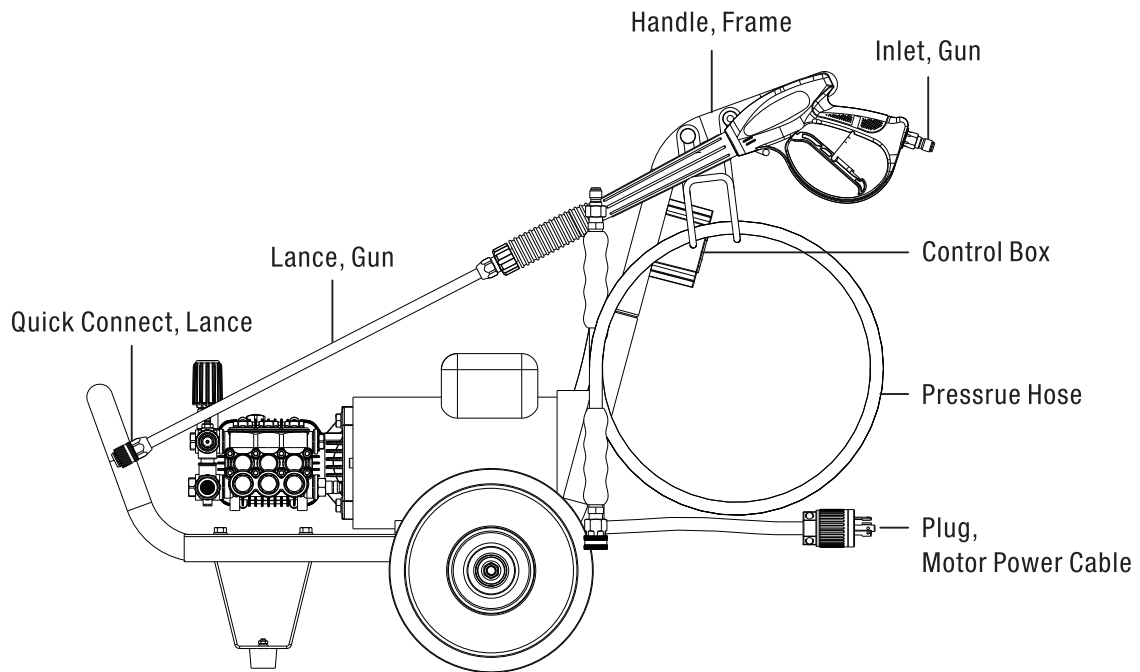


Nonskid Footwear

4. Products Specifications

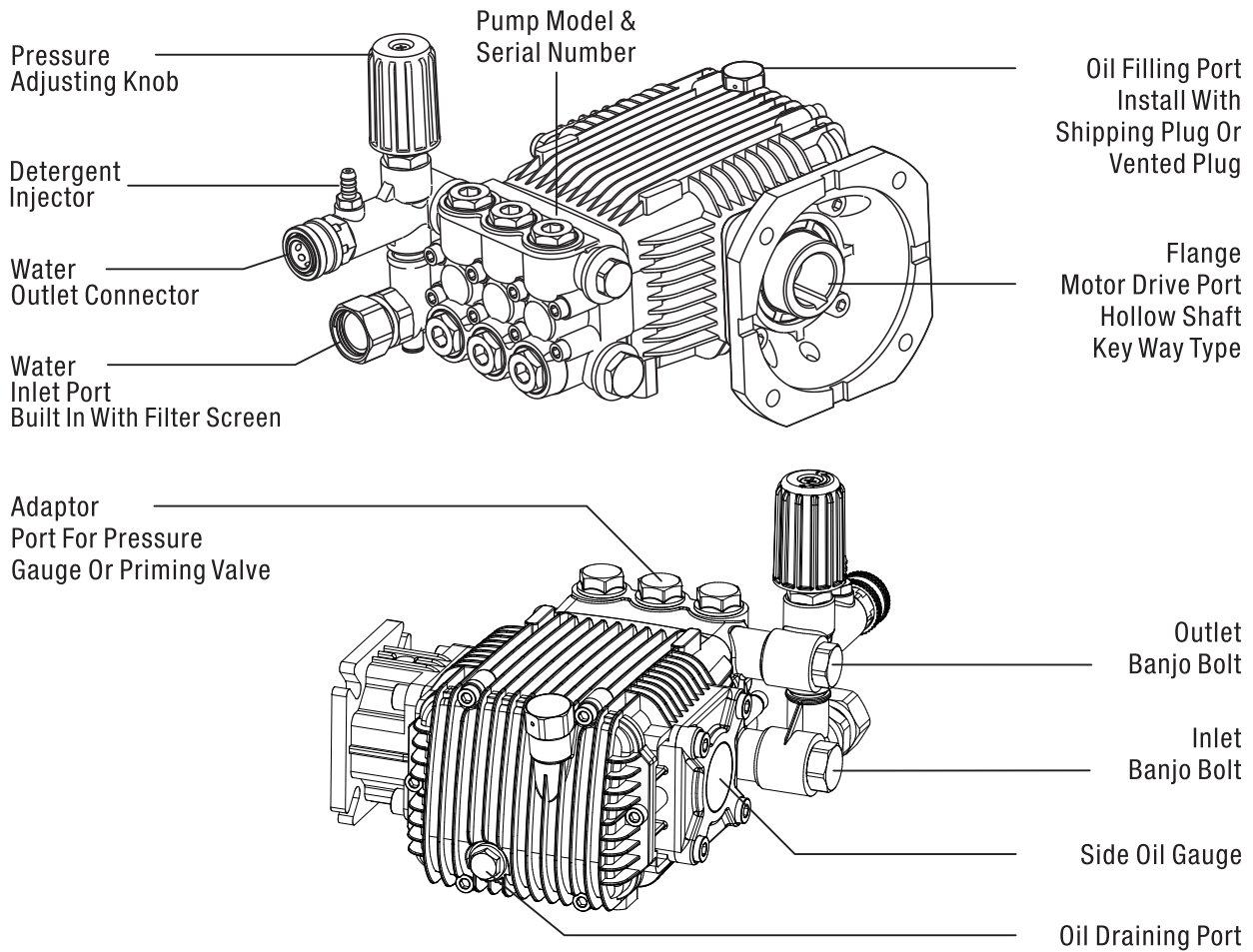
	CR3000	CR4000	CR5000
Max Pressure	1500psi/103bar	1900psi/131bar	2400psi/165bar
Max Flow	2.2gpm/8.3lpm	2.0gpm/7.6lpm	3.1gpm/11.7lpm
Pump Model	DBC-1509C5, Triplex, brass	DBC-15045C5, Triplex, brass	DBC-1506C5, Triplex, brass
Power and Type	2HP,115V/60HZ, 1700RPM	3HP,220V/60HZ, 3400RPM	5HP,220V/60HZ, 3400RPM
Nozzle Tips	5tips, QD Nozzle	5tips, QD Nozzle	5tips, QD Nozzle
Hose ID and Length	ID8 x10M, steel braided	ID8 x10M, steel braided	ID8 x10M, steel braided
Gun and Lance	Trigger gun, 20" lance	Trigger gun, 20" lance	Trigger gun, 20" lance
Frame Type	Rear wheel moving	Rear wheel moving	Rear wheel moving
Wheel Size and Type	10" pneumatic	10" pneumatic	10" pneumatic
Detergent Injection	Yes	Yes	Yes
Thermal Protection	Yes	Yes	Yes

5. Parts Identification and Features (Continued)

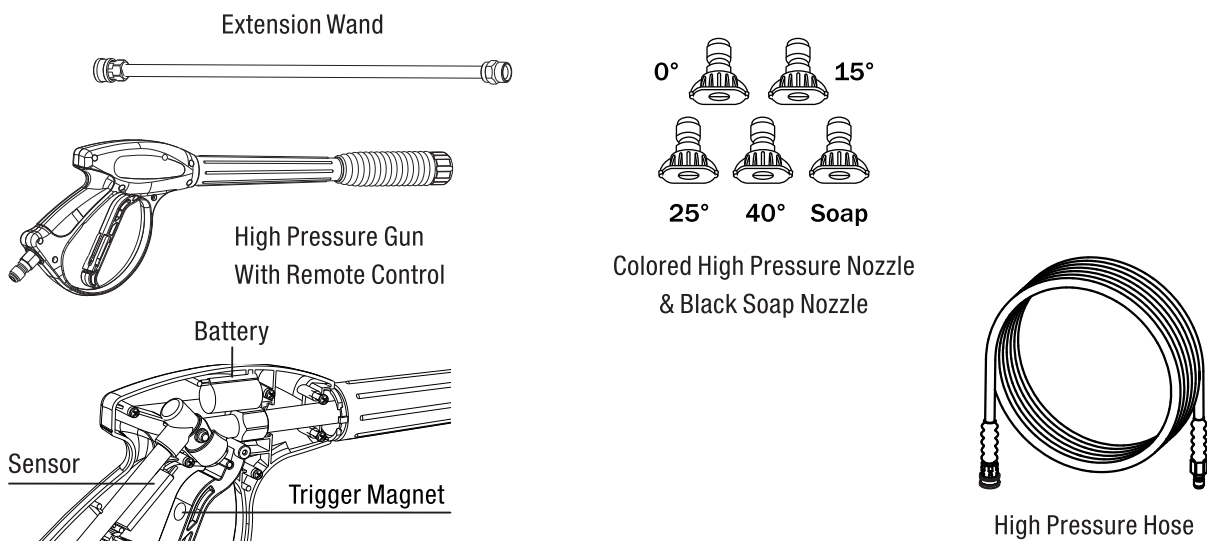


5. Parts Identification and Features (Continued)

5.2 Triplex Pump



5.4 Standard Accessories



5. Parts Identification and Features (Continued)

5.1 General Technology

PSI: Pounds per square inch --common unit measure used for water pressure, air pressure, hydraulic pressure and pounds of force.

GPM: Gallons per minute (liters per minute [metric]) --common unit measure used for flow rate of water.

Bypass Mode: In bypass mode, high pressure pump recirculates water because spray gun trigger is not pulled.

5.2 High Pressure Washer Pump

1. Pump Model & Serial Number: It contains the year, month and day of production, and can track the batch of materials assembler and tester. Please provide the serial no. along with the pump model and version when ordering spare parts and reporting any issues of concern.
2. Pressure Adjusting Knob: To raising or reduce the pressure by turn the knob.
3. Detergent Injector: Use to siphon detergent or other pressure washer chemicals into the low pressure stream.
4. Water Outlet Connector: To connect high pressure hose.
5. Water Inlet With Filter Screen: Connect garden hose here, and always have the filter screen present in it.
6. Red Shipping Plug Attached With Vent Plug: the pump is ship with red shipping plug to prevent oil leaking during transportation. Replace with the attached vent plug before using.

5.3 Motor Controller

1. ON/OFF Push Button: Push to control the motor's starting or stopping .
2. Running Indicator Light: Operation indicator on (GREEN) when the motor is running.
3. Standby Indicator Light: When trigger off and motor stops, the operation indicator turns off (GREEN LIGHT) and the standby indicator is on (YELLOW LIGHT); .
4. Fault Indicator Light: : BLUE light is overload fault indicator, RED light is electrical leakage fault indicator.

5.3 Accessories

1. Extension wand: To attach the spray tips on it.
2. High Pressure Hose: Connect one end to the water pump and the other end to the spray gun.
3. Spray Gun: Controls the application of water onto cleaning surface with trigger device. Includes safety latch.
4. Spray Tips: 0/15/25/40 degree and soap nozzle for various high pressure cleaning applications.

5.4 Remote Sensor

1. Trigger Magnet: Insert inside the trigger, to sense the action of the trigger .
2. Remote Sensor: To sense the action of the trigger and send the signal to controller.
3. Battery: To support the activity of the remote sensor.

6. Unpacking & Assembly

6.1 Unpacking

1. Carefully cut the box down the sides then remove the tool and any accessories from the box. Make sure than all items are included



CAUTION

Unit is heavy. Do not attempt to lift and remove the pressure washer unit from the carton.



2. Remove and discard the clear cap securing the operator's manual bag to the pump breather tube.
3. Inspect the tool carefully to make sure no breakage or damage occurred during shipping.
4. Do not discard the packing material until you have carefully inspected satisfactorily operated the tool.
5. If any parts are damaged or missing, please contact with the dealer.

6.2 Assembly the Wheel

1. Remove the **NUT** and **WASHER** from the **AXLE**
2. Lift the machine and fit the **AXLE** into the axle port that on the bottom of the frame, ensure the **NIPPLE** of the spring clip is locked into the small hole.
3. Fit the **WHEEL** to the **AXLE** and secure with the **NUT** and **WASHER**.

NOTE: Do not over tighten the nuts, the wheels must be able to rotate freely.

6.3 Assembly the Gun/Hose Hook

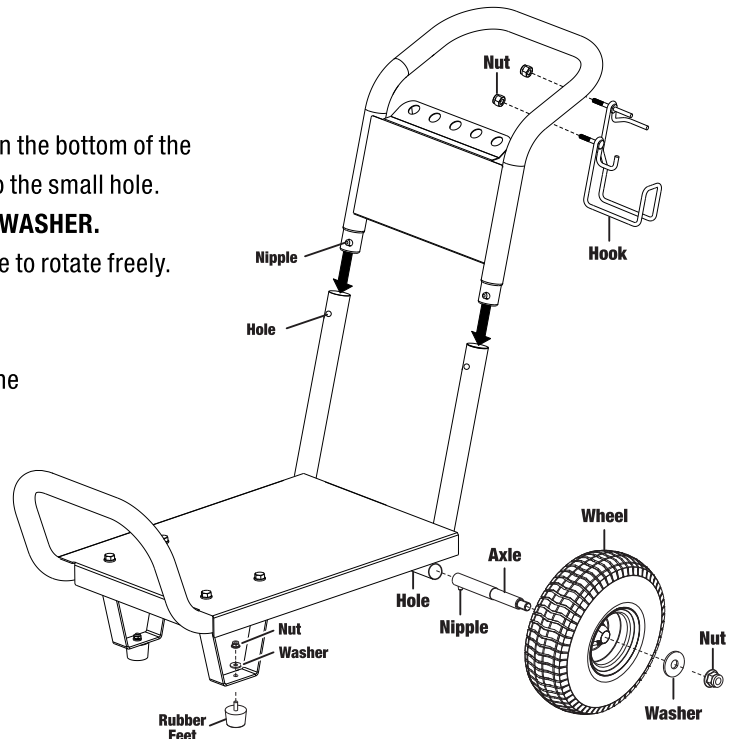
Fit the **HOOK** into the position as shown and secure using the **WASHER** and **NUT** on the **HANDLE**

6.4 Assembly the Handle

Push the **NIPPLE** on the handle and insert the tube into the frame, and lock the **NIPPLE** into the hole on frame.

6.5 Assembly the Rubber Feet

Fit the **RUBBER FEET** to the legs as shown.



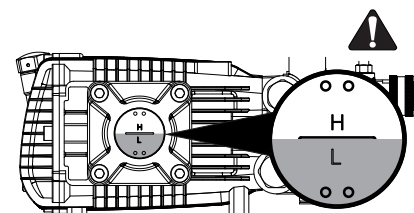
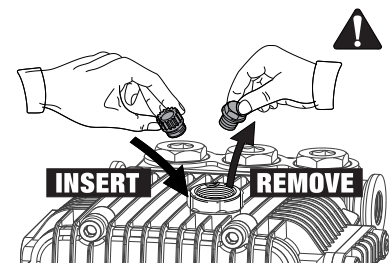
6.6 Adding Oil to Triplex Pump



WARNING

Operating the pump with low oil or no oil can cause permanent damage and **VOIDS THE WARRANTY**. Check the pump oil level to make sure it is correct.

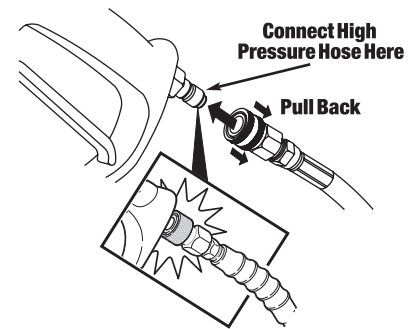
1. Using an 17mm open-end wrench or socket wrench, remove shipping plug from pressure pump. Discard shipping plug.
2. Remove pump breather plug from parts bag and insert it into pressure pump.
3. Tighten pump breather plug securely by hand. Do not use open-end wrench or socket wrench to tighten.
4. Check the sight glass to ensure pump oil is at 1/2 of the sight glass level.
5. Add oil to pressure pump if level is below indicator on oil gauge.
6. Oil type API SF **SAE 10W-30** or **15W/40**.
7. Change after the first 30 hours, then subsequently 100 hours.
8. We recommend the use high-quality **NON-DETERGENT** oils, if classified for service SF, SG, SH, SJ or higher. **DO NOT** use special additives. Outdoor temperatures determine the proper oil viscosity.
Below 40 F (4 C) the use of **SAE 30 will result in hard starting.
Above 80 F (27 C) the use of **10W30 may cause increased oil consumption. Check oil level more frequently.



7. Setting Up Before Use

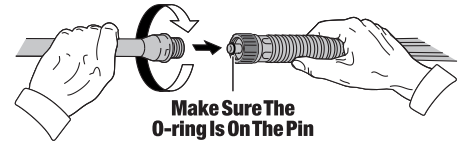
7.1 Attaching High Pressure Hose to Spray Gun

1. Pull back the slip ring on quick-disconnect fitting of high pressure hose.
2. Insert quick-disconnect plug on spray gun into female quick-disconnect on high pressure hose
3. Release slip ring on female quick-disconnect and twist. Listen for **CLICK** to ensure both quick-disconnects are coupled.
4. Pull the hose and gun in opposite direction to ensure they do not separate.



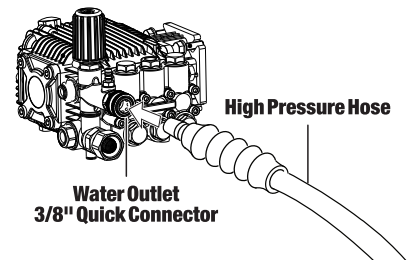
7.2 Connecting Spray Wand to Spray Gun

1. Thread spray wand onto spray gun.



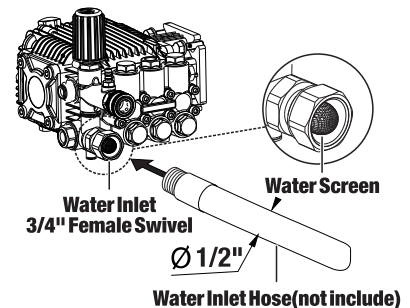
7.3 Connect Hose and Water Supply to Pump

1. Similarly, attach other end of high pressure hose to high pressure outlet on pump. Pull down on collar of quick connect, slide onto pump and let go of collar. Pull on hose to be sure of tight connection.
2. Before connecting garden hose to water inlet, inspect inlet screen . Clean screen if it contains debris or have it replaced if damaged. **DO NOT** run pressure washer if inlet screen is damaged.
3. Run water through your garden hose for 30 seconds to clean out any debris.



IMPORTANT: DO NOT siphon standing water for the water supply. Use ONLY cold water (less than 104°F/40°C).

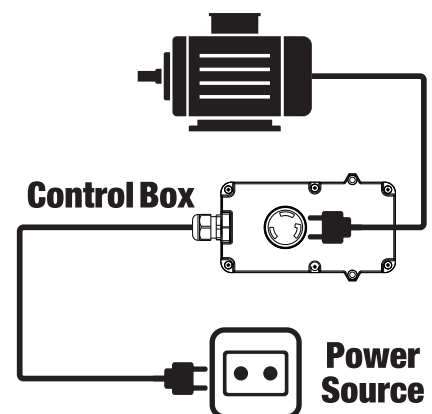
4. Connect the garden hose (not to exceed 50 feet in length and with the ID no less than 1/2") to the water inlet. Tighten by hand.
5. Turn **ON** the water, squeeze the trigger to purge the pump system of air and impurities.



7.4 Connect The Electric Supply

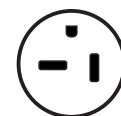
WARNING! Check the electrical supply voltage and frequency (V-HZ) correspond to those specified on the appliance data plate. The appliance should only be connected to a mains power supply equipped with an adequate earth connection and differential security breaker (30mA) to cut off the electricity supply in the instance of a short circuit.

1. Connect the motor power cord to the socket on the control box.
2. Connect the control box power cord to the socket on the main power source. Extension cords are not recommended



7.5 Using Extension cords

Extension cords, if used, must be properly grounded with a 3-prong plug on one and a 3-hole receptacle on the other. **DO NOT** use grounding adapters with an extension cord. Extension cords must be UL listed and use a minimum of 12 A.W.G. wiring. Extension cords should never exceed 25 feet in length. Extension cords, that are too long, cause a volt-age drop over the extra distance causing the motor to run slower with the possibility of causing damage to the motor. Using extension cords with smaller than the recommended wire gauge run the risk of getting too hot, melting, and/or causing fires.



NEMA 5-20P
CR3000



NEMA L6-30P
**CR4000
CR5000**

8. Startup Procedure

WARNING

- **RISK OF EYE INJURY.**
Spray can splash back or propel objects.

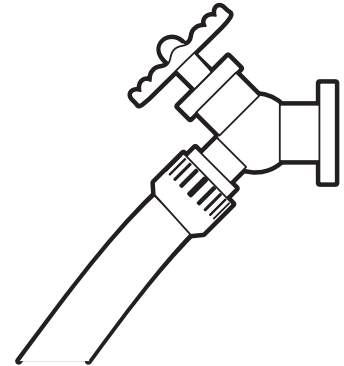
- Always wear safety goggles when using this equipment or in vicinity of where equipment is in use.
- Before starting the pressure washer, be sure you are wearing adequate safety goggles.
- **NEVER** substitute safety glasses for safety goggles.



8.1 How to Start Your Pressure Washer

To start your pressure washer for the first time, follow these instructions step-by-step. This starting information also applies if you have let the pressure washer sit idle for at least a day.

1. Place pressure washer near an outside water source capable of supplying water at a flow rate at least 5GPM/19LPM and no less than 20PSI/1.3BAR at pressure washer end of garden hose.
2. Check that high pressure hose is tightly connected to spray gun and pump.
3. Make sure unit is in a level position.
4. Uncoil high pressure hose completely before using pressure washer.
5. Connect garden hose to water inlet on pressure washer pump.
6. Turn ON water, point gun in a safe direction and squeeze trigger to purge pump system of air and impurities.

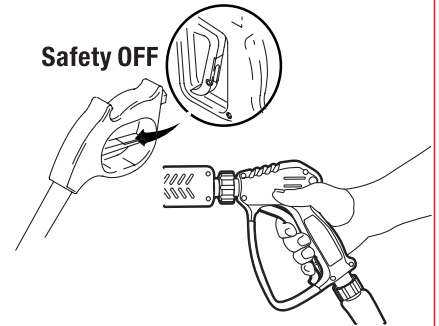


NOTICE

- **DO NOT run the pump without the water supply connected and turned on.**

Damage to equipment resulting from failure to follow this instruction will **VOID WARRANTY.**

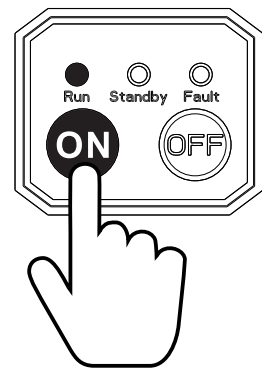
Safety OFF



7. Attach wand to spray gun. Tighten by hand.
8. Choose the nozzle you want to use, pull back on collar of quick connector, insert nozzle and release collar. Tug on nozzle to make sure it is securely in place.

IMPORTANT: Before starting the pressure washer, be sure you are wearing adequate safety goggles.

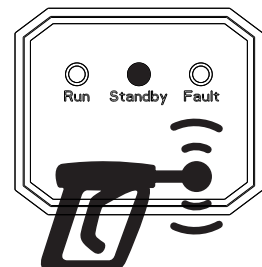
9. Press "**ON**", the motor controller enters the startup state and the motor starts running, and the operation indicator light is on (green light). When the motor starts for more than 2 minutes and the gun is not in activity, the motor will stop. Press "**ON**" again to start the motor.



NOTE: If the motor fails to run, and the **FAULT** indicator light is on (Blue or red), check the troubleshooting for the solutions.

8.2 Pressure Washer Standby Mode. (For Wireless Remote Only)

1. For the Wireless Remote Version the gun built-in with Wireless Sensor, when the trigger is released for more than **5 seconds** the motor stops running and controller enters in **STANDBY** mode and the indicator light is on.
2. If the pressure washer in standby mode more than **30 minutes** the motor controller will automatic cuts off and total stops the system.

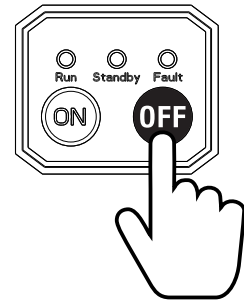


9. Stopping the Pressure Washer

9.1 How to Stop Your Pressure Washer

1. Press **"OFF"**, the motor controller enters the shutdown state, and the motor starts to stop. Unplug the power cord.
2. **ALWAYS** point spray gun in a safe direction, press red button and squeeze trigger to release the traps high water pressure.

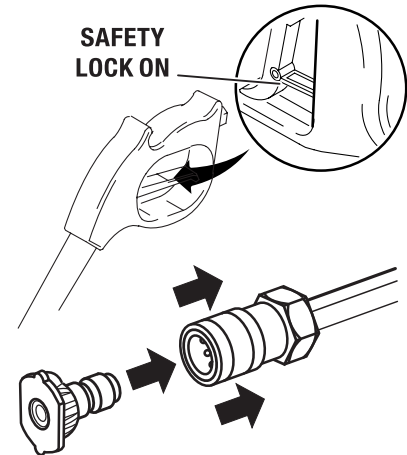
NOTE!: Pressure Washer Standby Mode is not **TOTAL STOP**, **DO NOT** leave the pressure washer unsupervised when in **STANDBY** mode.



10. Using Nozzles

10.1 Attaching Pressure Nozzles to Spray Wand

1. Engage trigger lock on spray gun.
2. Pull slip ring on female quick-disconnect fitting of spray wand back.
3. Insert nozzle into female quick-disconnect socket on spray wand.
4. Release slip ring on female quick-disconnect and twist. Listen for "lick" to ensure both quick-disconnects are coupled.
5. Pull high pressure nozzle and spray wand in opposite direction to ensure they do not separate.



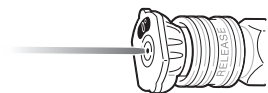
10.2 Nozzle Size Guide

The pressure washer comes with five spray nozzles. Each nozzle is color coded and delivers a specific spray pattern and pressure for a particular cleaning job. The size of the nozzle determines the size of the fan spray and the pressure out of the nozzle. They are stored in receptacles on a panel mounted to the handle of the washer. Colors on the panel identify nozzle location and spray panel.

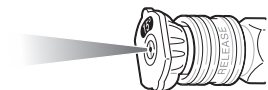
! WARNING

- Pressure washer produces fluid pressures and velocities high enough to penetrate human and animal flesh which could result in serious injury or amputation.
- Do not point pressure washer in direction of people or animals.
- High velocity fluid spray can cause objects to break, propelling particles at high speeds.

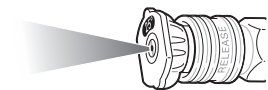
0° Nozzle - Red: This nozzle delivers a pinpoint stream of pressurized water and is extremely powerful. It covers only a small area of cleaning. This nozzle should only be directed at surfaces that can withstand high pressure such as metal or concrete. Do not use this nozzle to clean wood.



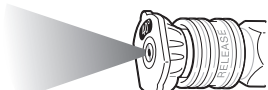
15° Nozzle - Yellow: This nozzle delivers a powerful 15 degree spray pattern for intense cleaning of small areas. This nozzle should only be used on areas and materials that can withstand high pressure.



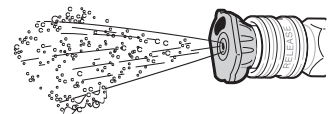
25° Nozzle - Green: This nozzle delivers a 25 degree spray pattern for intense cleaning of larger areas. This nozzle should only be used on areas that can withstand pressure from this nozzle.



40° Nozzle - White: This nozzle delivers a 40 degree spray pattern and a less powerful stream of water. This nozzle can cover a wide area and should be used for most general cleaning jobs.



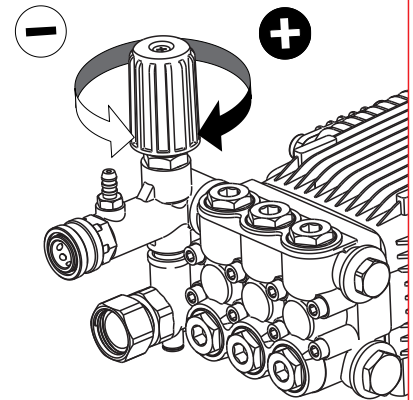
Chemical Nozzle - Black: This nozzle is used to apply special chemicals and cleaning solutions. This nozzle produces the weakest pressure stream of the five nozzles.



11. Adjusting Spray Pressure

11.1 Pressure Rinsing

1. Remove black spray tip from nozzle extension.
2. Select and install desired high pressure spray tip.
3. Keep spray gun a safe distance from area you plan to spray.
4. Increase (decrease) spray pressure by turning pressure control knob clockwise (counterclockwise).
5. Apply a high pressure spray to a small area and then check surface for damage. If no damage is found, you can assume it is okay to continue rinsing.
6. Start at top of area to be rinsed, working down with some overlapping strokes as you used for cleaning.

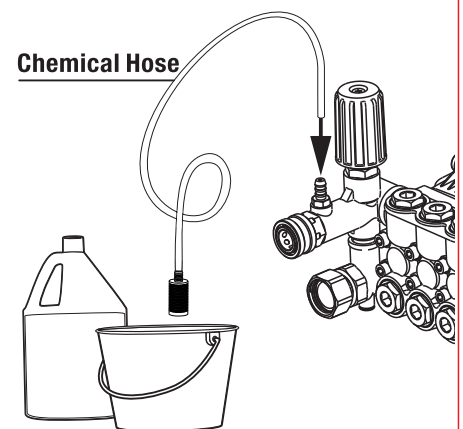


12. Using Chemicals & Detergents

NOTE: Use only detergents designed for pressure washers; household detergents, acids, alkalines, bleaches, solvents, flammable material, or industrial grade solutions can damage the pump. Many detergents may require mixing prior to use. Prepare cleaning solution as instructed on the solution bottle.

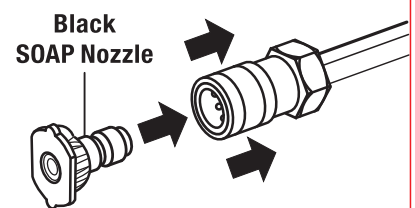
12.1 Set Up Procedure:

1. Attach the chemical hose onto the barbed fitting situated near the back of the high pressure hose connection.
2. Press the other end of the chemical hose (with the filter attached) into the container holding the chemicals or detergents you are using.
3. Attach the chemical nozzle onto the lance as shown previously .



12.2 Chemical Cleaning

1. Spray the chemicals onto a dry surface using the procedures outlined in previous sections. Start at the lower portion of the cleaning area and working upwards, using long, even, overlapping strokes.
2. Always ensure that the filter is fully submerged in the cleaning solution at all times.
3. Allow the detergent to soak in for 3-5 minutes before washing and rinsing.
4. Re-apply as needed to prevent the surface from drying. Do not allow the detergent to dry on to the cleaning surface to prevent streaking.

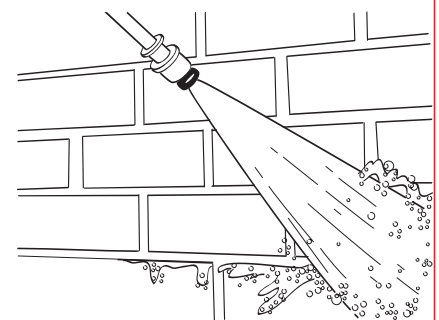


NOTE: Detergent cannot be applied with the high pressure spray tips (white, green, yellow or red)

12.3 After Chemical Cleaning

IMPORTANT: You will need to flush the detergent siphoning system after each use by placing the filter into a bucket of clean water then run the pressure washer in low pressure for 1-2 minutes.

1. After using chemicals, soaps and detergents it is necessary to thoroughly clean the pressure washer.
2. Place the chemical hose in a container of clean water.
3. Turn on the pressure washer and hold the trigger on the spray gun top draw clean water through the system to clean it thoroughly.



13. Maintenance

To ensure efficient operation and longer life of your pressure washer a routine maintenance schedule should be prepared and followed. If the equipment is used in unusual conditions such as high-temperature or dusty conditions more frequent maintenance checks will be required.

WARNING

Before performing any maintenance be aware that the equipment should be completely shutdown, depressurized and allowed to cool down. This will ensure that no injuries can be sustained by moving parts, water pressure or hot surfaces.

Please note: All repairs should be carried out by Dealer approved engineers. All replacement parts should be supplied or recommended by the Dealer. Any unapproved repairs or modifications will invalidate the warranty.

13.1 Motor:

Check the manual of motor for any information of maintenance.

13.2 Pump Oil:

Change the pump oil regularly. Change the pump oil after the first 50 hours of work and successively every 100 hours. In either case ensure that the oil is changed at least once a year. Check with your nearest Dealer for advice on the best Pump Oil to use with this equipment if you are unsure.

NOTICE

Avoid prolonged or repeated skin contact with used motor oil.

Used motor oil has been shown to cause skin cancer in certain laboratory animals. Thoroughly wash exposed areas with soap and water.



KEEP OUT OF REACH OF CHILDREN. DON'T POLLUTE. CONSERVE RESOURCES. RETURN USED OIL TO COLLECTION CENTERS.

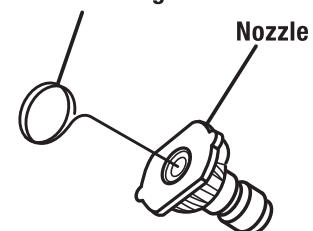
13.3 Nozzle Tips:

If the nozzle becomes clogged with dirt and debris excessive pressure can build up. If the nozzle becomes partially clogged or restricted the pump pressure will fluctuate and can become harmful and dangerous.

Clean the nozzle immediately and follow these instructions:

1. Shut-off the engine and turn off / disconnect the water supply.
2. Pull the trigger on the gun to relieve any water pressure.
3. Disconnect the lance from the gun.
4. Remove the nozzle from the lance - remove any obstructions with the nozzle cleaning tool and back flush with clean water.
5. Direct the water supply into the spray wand end to back flush loosened particles for 30 seconds.
6. Reassemble the nozzle onto the lance.
7. Reconnect the lance to the gun and turn on the water supply.
8. Start the washer pump and place the lance into the high pressure setting to test.

Nozzle Cleaning Pin

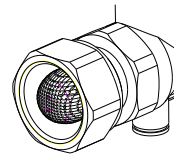


13. Maintenance (Continued)

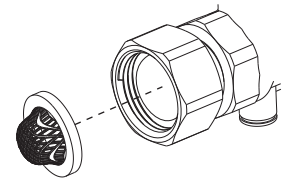
13.4 Cleaning The Water Filter:

The water filter should be checked regularly and cleaned if necessary:

1. Remove the filter by grasping the end and removing it from the water inlet on the pump.
2. Clean the filter by flushing it with water on both sides.
3. Re-insert the filter in the water inlet on the pump.



Water Filter In-place



Water Filter Removed

13.5 High Pressure Hose:

Replace the high pressure hose when the hose have any of the below circumstance:

1. Cover damaged.
2. Burst.
3. Bubbles/blisters.
4. Kinked/collapsed.

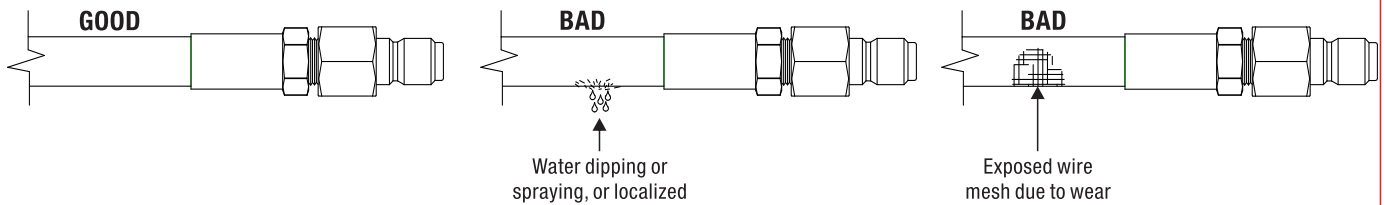


WARNING



The high pressure stream of water can cut through skin and its underlying tissues, leading to serious injury and possible amputation.

- Never repair high pressure hose. Replace it.
- Replacement hose rating MUST exceed maximum pressure rating of the unit.



13.6 Maintenance Schedule

ALWAYS shut off water supply, bleed water pressure, and turn off motor before cleaning, adjusting, or servicing the pressure washer. After servicing, make sure all guards and cover shields are replaced before using.

Maintenance Schedule

Pump Oil 30w Non-detergent	Inspect	Daily Inspect The Oil Level
	Change	After First 50 Hours, Then Every 100 Hours Or Annually
Replace High Pressure Nozzle		Every 6 Months
Replace Quick Connects		Annually
Clean Water Screen/filter		Weekly
Replace High Pressure Hose		Annually If There Is Any Sign Of Wear

* PREVENTATIVE MAINTENANCE

This pressure washer was produced with the best available materials and quality craftsmanship. However, you as the owner have certain responsibilities for the correct care of the equipment. Attention to regular preventative maintenance procedures will assist in preserving the performance of your equipment. Contact your dealer for maintenance. Regular preventative maintenance will add many hours to the life of your pressure washer. Perform maintenance more often under severe conditions.

14. Storage

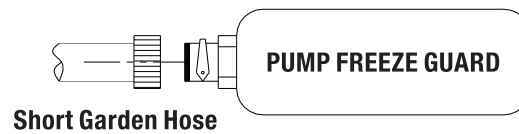
14.1 After General / Regular Use

1. Drain all water from the high pressure hose, coil it and hang on the cradle on the pressure washer frame. If chemicals were used ensure the pump and chemical hose are thoroughly cleaned out.
2. Drain all the water from the gun and lance by holding the gun in a vertical position with the nozzle end pointing down and squeeze the trigger. Store in the gun/hose holder.

14.2 Preparation for Winter and Long-term Storage

Note: It is recommended that you follow these steps to protect the internal seals of the pump when storing the equipment for more than 30 days and or when, freezing temperatures are expected.

1. Obtain a Pressure Washer Pump Freeze Guard, 1 Meter of garden hose with a male hose connector attached to one end.
3. Connect the hose to water inlet on the pump.
4. Attach bottle of freeze guard to pump inlet.
5. Squeeze freeze guard bottle until antifreeze comes out of the pump outlet.
6. Remove the short hose from the water inlet on the pump.



WARNING

FREEZE DAMAGE IS NOT COVERED BY WARRANTY.

Do not allow water to freeze in the pressure washer, high pressure hose, or spray gun. Freezing water can cause damage to the equipment and cause the spray gun to fail in the open position. A spray gun that has failed in the open position can whip around and cause personal injury when the pressure washer is started.

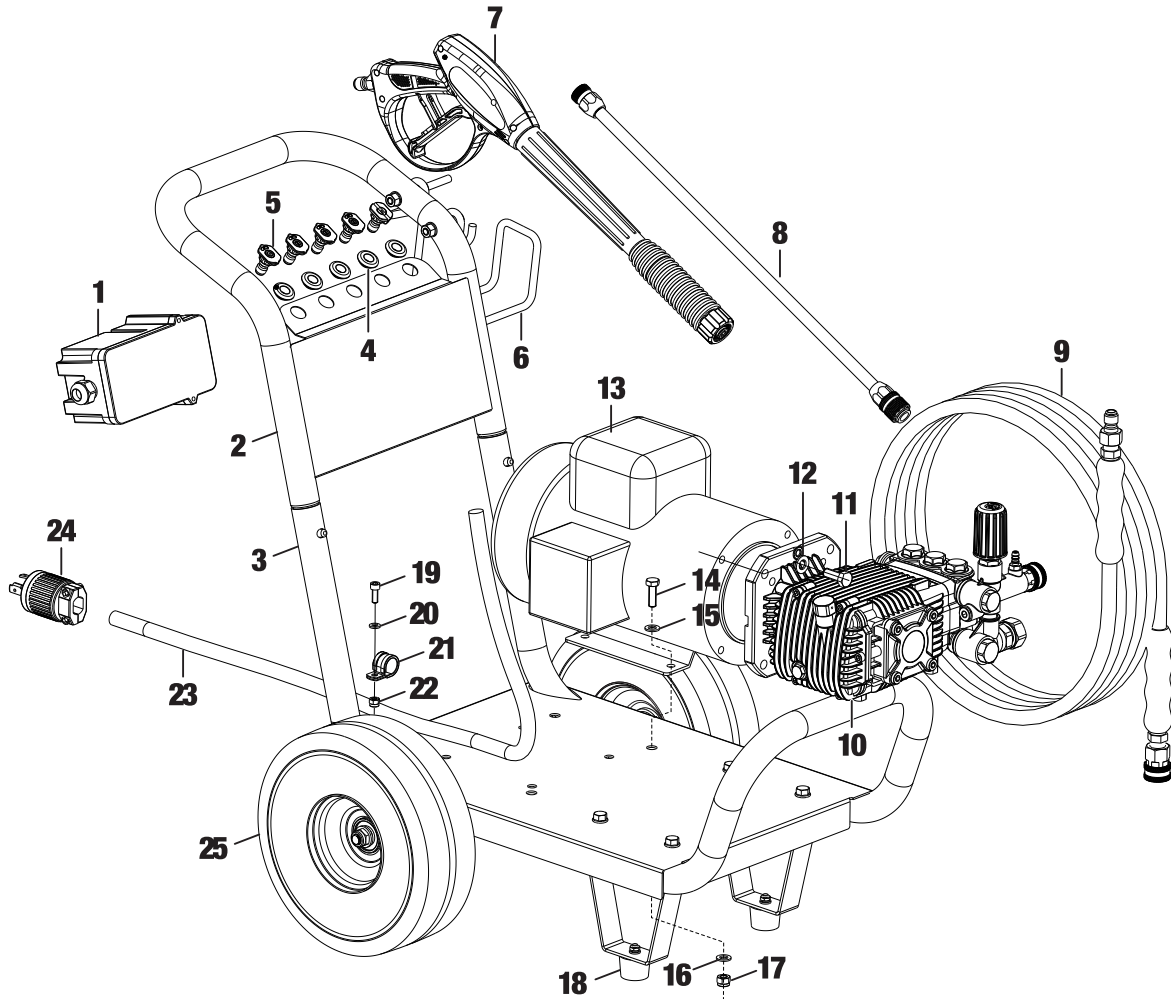
15. Troubleshooting

PROBLEM	PROBABLE CAUSE	SOLUTION
The motor can't run.	Controller self checking lights ON 1.The power cord terminal is poor. 2.Controller internal failure. Controller self checking lights OFF 3.Controller internal failure.	1. Check the power cord and terminal. 2. Have parts replaced by authorized dealer. 3. Have parts replaced by authorized dealer.
The motor can't stop running.	1. Controller internal failure.	1. Have parts replaced by authorized dealer.
The motor blocking or abnormal noise	1. The motor failure.	1.Contact authorized service facility..
Controller couldn't start the motor when trigger is on	Wireless remote version 1. Magnet on trigger is fall off. 2. Wireless sensor failure or out of battery.	1. Refit the magnet onto the trigger 2. Contact authorized service facility.
Controller couldn't stop the motor when trigger is off	Wireless remote version 1. Magnet on trigger is fall off. 2. Wireless sensor failure or out of battery.	1. Refit the magnet onto the trigger 2. Contact authorized service facility.
Frequent overload fault (fault blue light on)	1. Low input voltage. 2. The pump is over-pressurized. 3. Power supply cord is too long or too small.	1. Check the input voltage. 2. Reduce the set pressure. 3. Use short or big power supply cord.
Frequent electrical leakage fault (fault red light is on)	1. There is water vapor at the motor power terminal. 2. Motor leaks electricity through metal parts such as the water inlet and outlet pipe. 3. Poor grounding in the workplace.	1. Open the power junction box on the motor and dry the inside of the junction box. 2. Contact authorized service facility. 3. Ensure that the workplace is well grounded.
No pressure or Low pressure.	1.Spray wand not set to high pressure. 2.Lower water supply. 3.Hose fitting leaks during high pressure. 4.Nozzle obstructed. 5.Water filter screen obstructed. 6.Defective thermal relief valve. 7.Air in hose. 8.High pressure too long.	1. See "Using Spray Wand" section. 2. Water supply must be 5 GPM @ 20 psi. 3. Tighten hose fitting. Use thread sealant tape if necessary. 5. Remove and clean filter. 6. Call Customer Service: 7. Disconnect water source from pump inlet and turn water source to ON to remove all air from hose. When steady stream of water is present, turn water source to OFF. Re-connect water source to pump inlet and turn on water source. Squeeze trigger to remove remaining air. 8. Use High pressure hose under 100 ft (30M).

15. Troubleshooting (Continued)

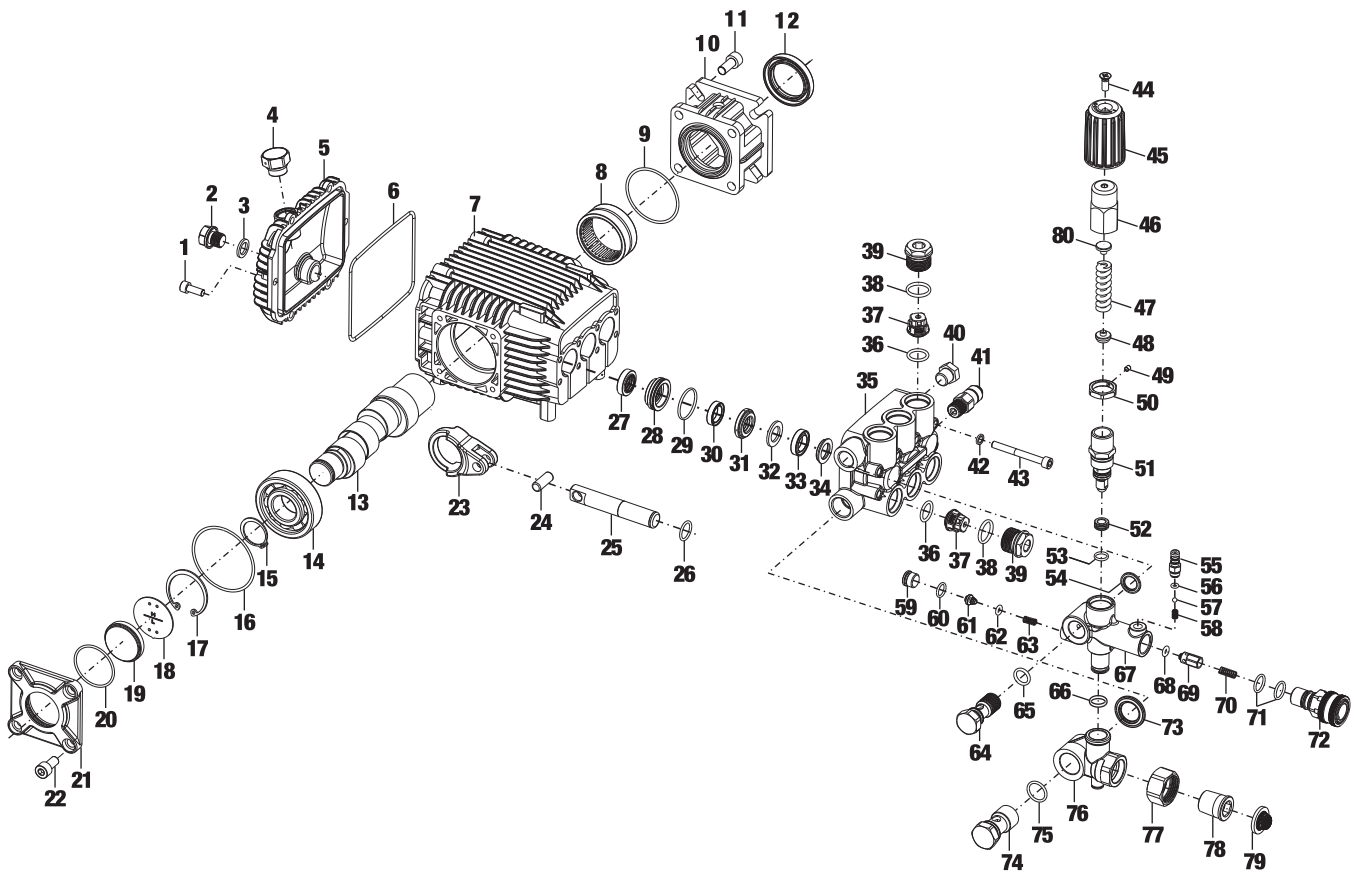
PROBLEM	PROBABLE CAUSE	SOLUTION
Pump will not draw Chemicals	<ol style="list-style-type: none"> 1.Spray wand not set to low pressure.. 2.Chemical filter clogged. 3.Chemical screen not in chemical. 4.Chemical solution too thick. 5.Pressure hose too long 6.Chemical build-up in chemical injector. 	<ol style="list-style-type: none"> 1. See "Using Spray Wand" section. 2. Clean Filter. 3. Ensure end of chemical hose is fully submerged into chemicals. 4. Dilute chemical. Chemical solutions should have same consistency as water. 5. Lengthen water supply hose instead of pressure hose. 6. Have parts cleaned or replaced by authorized dealer.
No or low pressure (after period of normal use).	<ol style="list-style-type: none"> 1. Worn seal or packing. 2. Worn or obstructed valves. 3. Worn unloader piston. 4. Worn E-Z start valve. 	<p>Have parts cleaned or replaced by authorized dealer.</p>
Water leaking at spray gun/spray wand connection.	<ol style="list-style-type: none"> 1. Worn or broken O-ring. 2. Loose hose connection. 	<ol style="list-style-type: none"> 1. Check and replace O-ring. 2. Tighten hose connection.
Water leaking at pump.	<ol style="list-style-type: none"> 1. Loose connections. 2. Piston packings worn. 3. Worn or broken O-rings. 4. Pump head or tubes damaged from freezing. 	<ol style="list-style-type: none"> 1. Check and replace O-ring 2. Tighten hose connection. 1. Tighten connections. 2. Have parts cleaned or replaced by authorized dealer. 3. Have parts cleaned or replaced by authorized dealer. 4. Have parts cleaned or replaced by authorized dealer.
Oil leaking at pump	<ol style="list-style-type: none"> 1. Oil seals worn. 2. Loose drain plug. 3. Worn drain plug O-ring. 4. Worn fill plug O-ring. 5. Pump overfilled. 6. Incorrect oil used. 7. Vent plug clogged. 	<ol style="list-style-type: none"> 1. Have parts cleaned or replaced by authorized dealer. 2. Tighten drain plug. 3. Inspect and replace O-ring. 4. Inspect and replace O-ring. 5. Check for correct amount. 6. Drain and refill with correct type and amount of oil. 7. Clean vent plug. Use air hose to free it of blockage. If problem persists, replace vent plug.
Pump pulsates	Nozzle obstructed.	See "Using Spray Wand" section.

16. Pressure Washer Exploded View & Parts List



REF NO.	DESCRIPTION	QTY	REF NO.	DESCRIPTION	QTY	REF NO.	DESCRIPTION	QTY
1	Motor Controller	1	10	Pump ASSY	1	19	Bolt	1
2	Handel, Frame	1	11	Bolt	4	20	Washer	1
3	Frame	1	12	Plain Washer	4	21	Wire Holder	1
4	Nozzle Holder	5	13	NEMA Motor	1	22	Nut	1
5	Nozzle	5	14	Bolt	4	23	Motor Power Cord	1
6	Hook	1	15	Washer	4	24	Plug	1
7	High Pressure Gun	1	16	Washer	4	25	Wheel	2
8	Extension Lance	1	17	Nut	4			
9	High Pressure Hose	1	18	Rubber Foot	2			

17. Exploded View & Parts List (Triplex Pump)



Seal Kit Part# 210001

Check Valve Kit Part# 210000

Unloader Valve Part# 041001

REF NO.	DESCRIPTION	REF NO.	DESCRIPTION	REF NO.	DESCRIPTION
1	Bolt, crankcase cover	26	O-ring	51	Pressure jam nut
2	Oil drain plug	27	Oil seal, plunger	52	Unloader valve assy
3	O-ring, oil drain plug	28	Locating ring	53	Valve seat
4	Vented oil cap	29	O-ring, locating ring	54	O-ring, valve seat
5	Crankcase cover	30	Low pressure water seal	55	Gasket, unloader valve housing
6	Gasket, crankcase cover	31	Compression ring	56	Detergent injector fitting
7	Crankcase	32	Compression flake	57	O-ring, injector fitting
8	Needle bearing	33	High pressure water seal	58	Ball, injector fitting
9	O-ring, flange	34	Supporting ring	59	Spring, injector fitting
10	Flange	35	Manifold	60	Water outlet banjo bolt
11	Bolt, flange	36	O-ring, checking valve	61	O-ring, outlet banjo bolt
12	Oil seal, flange	37	Checking valve assy	62	O-ring, unloader valve housing
13	Crankshaft	38	O-ring, valve cap	63	Unloader valve housing
14	Ball bearing	39	Checking valve cap	64	O-ring, outlet checking valve
15	Scrap ring	40	Outlet plug, manifold	65	Outlet checking valve
16	O-ring, crankshaft cover	41	Inlet plug, manifold	66	Spring, outlet checking valve
17	Retain ring	42	Thermal Relief Valve	67	O-ring, outlet fitting
18	Oil level plate	43	Washer, bolt, manifold	68	Quick disconnect outlet fitting
19	Oil sight glass	44	Bolt, manifold	69	Gasket, bypass housing
20	O-ring, oil sight glass	45	Screw, knob cap	70	Water Inlet banjo bolt
21	Crankshaft cover	46	Plastic knob cap	71	O-ring, inlet banjo bolt
22	Bolt, crankshaft cover	47	Pressure adjusting knob	72	Bypass housing
23	Connecting rod	48	Pressure adjusting spring	73	Swivel nut, inlet connector
24	Pin	49	Spring seat	74	Body, inlet connector
25	Ceramic coating plunger	50	Screw, jam nut	75	Filter washer, inlet connector

18. Limited Warranty

Dear Valued Customer:

The CANPUMP Product you just purchased is built with the finest material and craftsmanship. Use this product properly and enjoy the benefits from its high performance. Like all mechanical equipment this unit requires a due amount of care. Treat this unit like the high-quality piece of machinery it is. Neglect and improper handling may impair its performance. Please thoroughly read the instructions and understand the operation before using your product. Always contact CANPUMP Product Support at 1-833-787-7867 prior to having any service or warranty work performed, as some services performed by parties other than CANPUMP approved service centers may void this warranty. This warranty is in lieu of any other warranty expressed or implied and CANPUMP assumes no other responsibility or liability outside that expressed within this warranty.

Limited Warranty

CANPUMP shall warranty any piece of equipment manufactured, or parts of equipment manufactured, to be free from defects in material or workmanship for a period of:

Item Name	Commercial/Consumer Warranty	Details
Pump	3 years from date of purchase, lifetime on pump manifold	CANPUMP shall warrant the pressure washer pump to be free of defects in material and workmanship for a period of 3 years. CANPUMP makes no warranty on standard wear items such as, but not limited to, seals, valves, seats, O-rings and pistons.
Motor	1 years from date of purchase	The motor warranty is covered under the terms and conditions as outlined by the motor manufactures warranty and is the sole responsibility of the motor manufacture. Normal motor maintenance such as system cleaning and obstruction due to build up is not covered by CANPUMP this warranty.
Normal Wear Items	30 days from date of purchase	In addition to the normal warranty, CANPUMP shall warrant any normal wear item from defects in material or workmanship for a period of 90 days from the date of purchase by user. Normal wear items include, but are not limited to, nozzles, quick connect fittings, valves, high- pressure hoses, O-rings, filter elements, Gun, Lance, Tires, and unloader valves

“Consumer use” means personal residential household use by a consumer. “Commercial use” means all other uses, including use for commercial, income producing or rental purposes or when purchased by a business. This warranty applies to the original purchaser of the equipment (verification of purchase, in the form of a receipt, is the responsibility of the buyer), is non-transferable, and covers parts and labor. Parts will be replaced or repaired at no charge, except when the equipment has failed due to lack of proper maintenance. If a part is no longer available, the part may be replaced with a similar part of equal function. Any misuse, abuse, alteration or improper installation or operations will void warranty. Determining whether a part is to be replaced or repaired is the sole decision of CANPUMP. CANPUMP will not provide for replacement of complete products due to defective parts. Any costs incurred due to replacement or repair of items outside of a CANPUMP approved facility is the responsibility of the buyer and not covered under warranty. Transportation costs to and from service center is the responsibility of the customer.

This warranty specifically excludes the following; failure of parts due to damage caused by accident, fire, flood, windstorm, acts of God, applications not approved by CANPUMP in writing, corrosion caused by chemicals, use of replacement parts which do not conform to manufacturer’s specifications, damage related to rodent and/or insect infestation and damage caused by vandalism. Additional exclusions: loss of running time, inconvenience, loss of income, or loss of use, including any implied warranty of merchantability of fitness for a specific use. Also, Outdoor Power Equipment needs periodic parts and service to perform well, and this warranty does not cover instances when normal use has exhausted the life of a component or the motor. This warranty does not cover any personal injury or damage to surrounding property caused by failure of any part. Repair or replacement of parts does not extend the warranty period.



PRESSURE WASHER ELECTROJET SERIES

IMPORTANT! SAFETY FIRST!

Before attempting to use this product(s) please read all of the safety precautions and operating instructions outlined in this manual to reduce the risk of damage to the products and personal injury.

VERSION:GCP-EJCR-2101



**This manual contains:
IMPORTANT WARNINGS and INSTRUCTIONS. READ AND RETAIN FOR REFERENCE**

GREEN CANPUMP TECHNICAL SUPPORT WWW.CANPUMP.COM