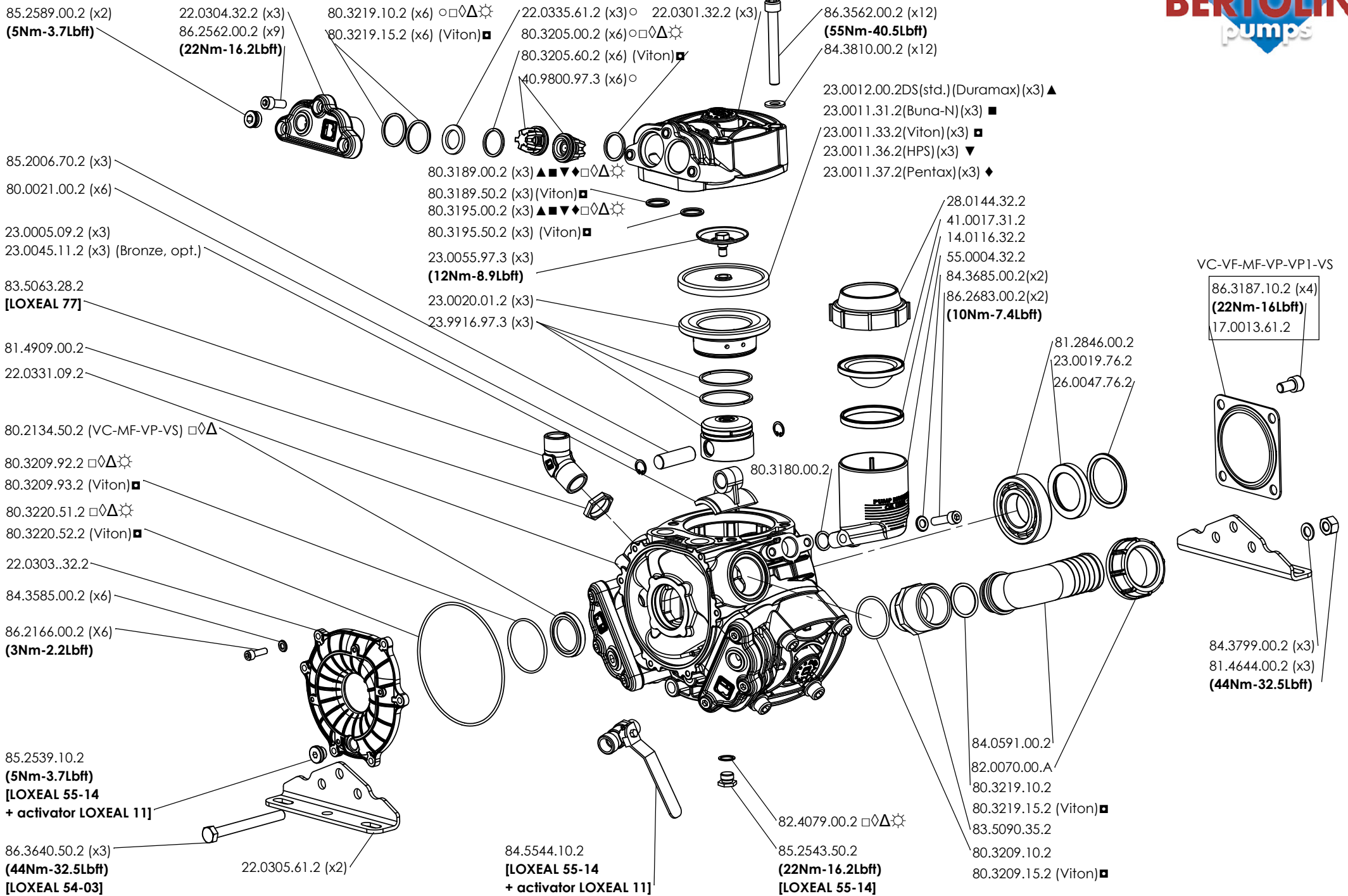
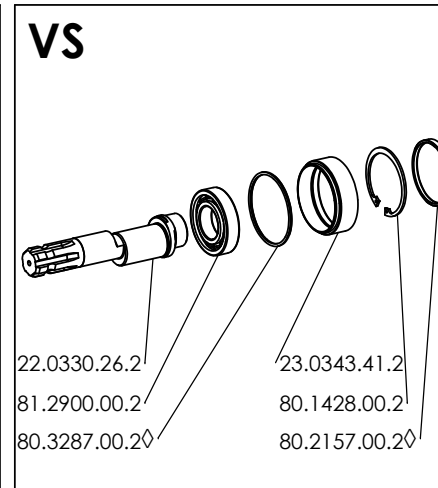
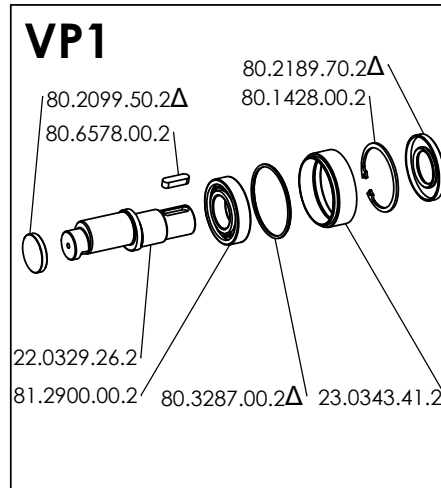
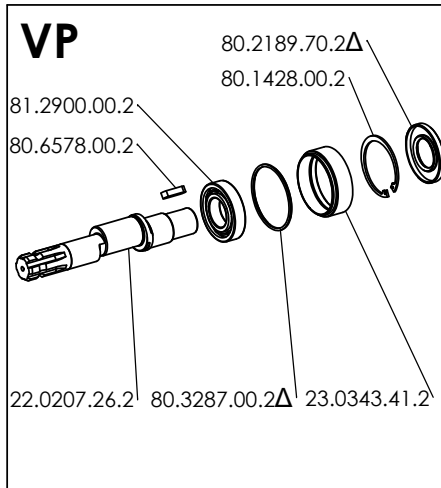
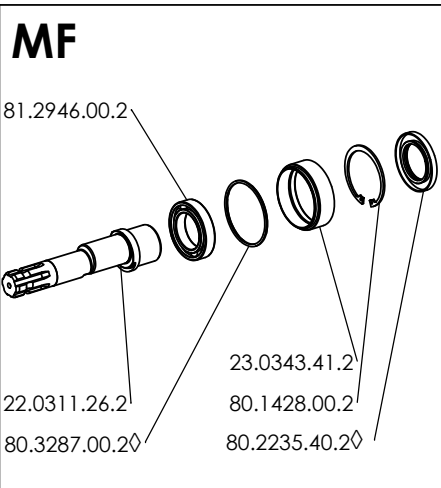
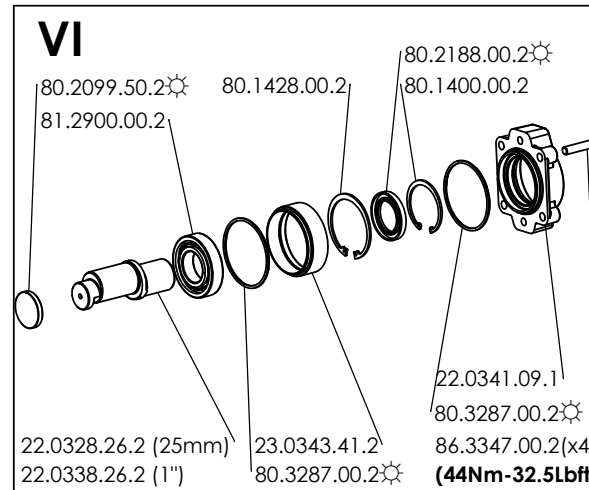
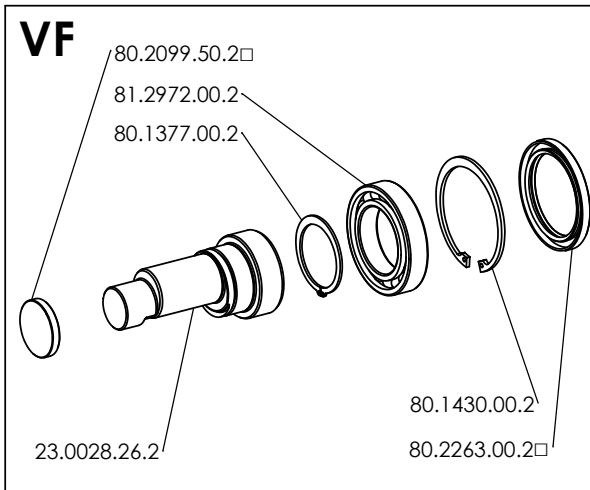
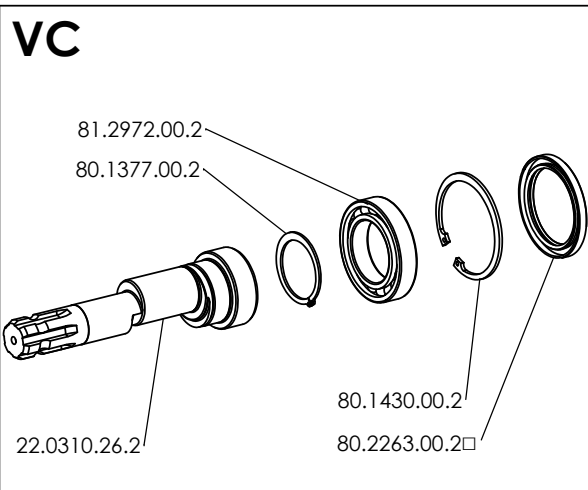


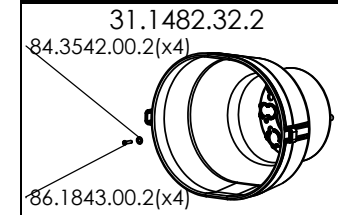
PRODOTTO/PRODUCT: PPS 550 (da/from 05/2025)

VERSIONI/VERSION: VC-VF-VI-MF-VP-VP1-VS

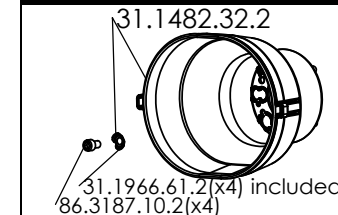




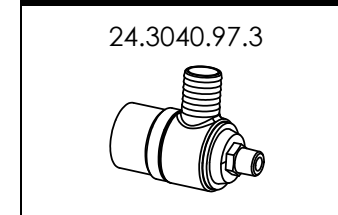
OPTIONAL FRONT



REAR



SAFETY VALVE



MATERIALE - METERIAL	KIT MEMBRANE - DIAPHRAGMS KIT					KIT VALVOLE - VALVES KIT	KIT POMPA - PUMP KIT			
	DURAMAX	BUNA-N	HPS	VITON	PENTAX	AISI 316	VC-VF	MF-VS	VP-VP1	VI
STD. - OPT.	STD.	OPT.	OPT.	OPT.	OPT.	STD.				
CODICE - CODE	22.9801.97.3DS	22.9800.97.3	22.9803.97.3	22.9802.97.3	22.9804.97.3	22.9805.97.3	22.9806.97.3	22.9807.97.3	22.9808.97.3	22.9809.97.3
COMPONENTI COMPONENTS	▲	■	▼	■	◆	○	□	◇	△	☀

INFORMAZIONI UTILI - USEFUL INFORMATION				
OLIO - OIL	OLIO MOTORE O SEMIDRAULICO SAE 75-W90 MOTOR OIL OR SEMI-HYDRAULIC OIL SAE 75-W90			
PRESSIONE DI LAVORO OPERATING	2 ÷ 5	5 ÷ 10	10 ÷ 20	20 ÷ 50
ACCUMULATORE	/	/	/	/